



Level



Pressure



Flow



Temperature



Liquid
Analysis



Registration



Systems
Components



Services



Solutions

Operating Instructions

Prosonic S FMU95

Transmitter for 5 or 10 ultrasonic sensors

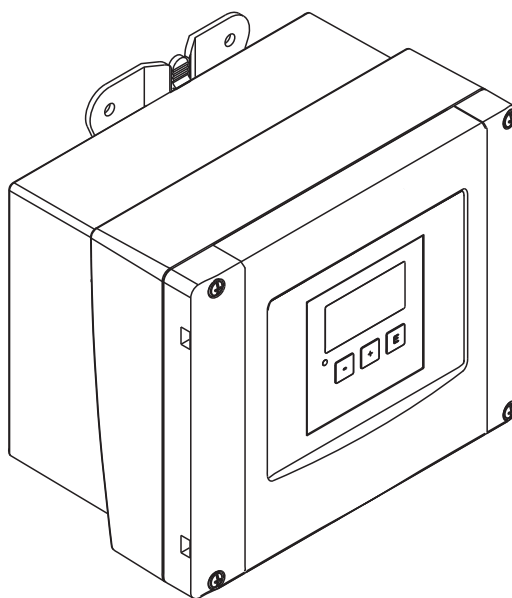
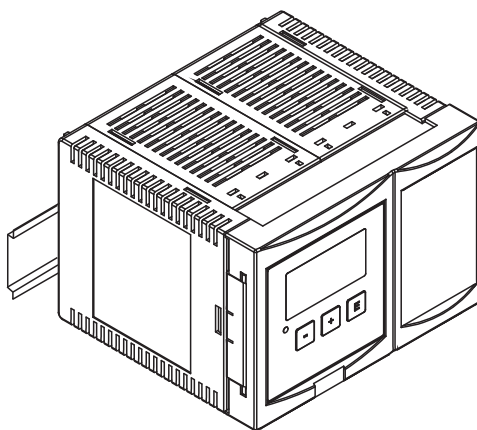


Table of Contents

1	Safety Instructions	4	8	Maintenance	85
1.1	Designated use	4	8.1	Exterior cleaning	85
1.2	Installation, commissioning, operation	4	8.2	Repairs	85
1.3	Operational safety and process safety	4	8.3	Repairs to Ex-approved devices	85
1.4	Notes on safety conventions and symbols	5	8.4	Replacement	85
2	Identification	6	8.5	Replacing a sensor	85
2.1	Parts of the Prosonic S FMU95	6	8.6	Spare Parts	86
2.2	Nameplate (Example)	7	8.7	Return	87
2.3	Product structure	8	8.8	Disposal	87
2.4	Scope of delivery	9	8.9	Contact addresses of Endress+Hauser	87
2.5	Certificates and approvals	9	9	Accessories	88
2.6	Registered trademarks	9	9.1	Commubox FXA291	88
3	Installation	10	9.2	Protection cover for the field housing	88
3.1	Incoming acceptance, transport, storage	10	9.3	Mounting plate for the field housing	88
3.2	Mounting the field housing	10	9.4	Mounting bracket	89
3.3	Mounting the DIN-rail housing	12	9.5	Adaption plate for remote display	90
3.4	Mounting the remote display and operating module	13	9.6	Overvoltage protection (in IP66 housing)	90
3.5	Mounting of the sensors	14	9.7	Overvoltage protection HAW562	91
3.6	Installation check	14	9.8	Extension cable for sensors	91
4	Wiring	15	10	Technical Data	92
4.1	Terminal compartment	15	10.1	Technical data at a glance	92
4.2	Terminal assignment	18	11	Operating menu	96
4.3	Connection to a PROFIBIS DP network	20	11.1	"level"	96
4.4	Sensor connection	21	11.2	"safety settings"	98
4.5	Shortening the sensor cable	23	11.3	"outputs/calculations"	98
4.6	Synchronization line	24	11.4	"device properties"	99
4.7	Connection of the separate display and operating module	25	11.5	"system information"	100
4.8	Potential equalization	26	11.6	"display"	102
4.9	Post-connection check	28	11.7	"sensor management"	102
5	Operation	29	12	Appendix	103
5.1	Operating options	29	12.1	Default Block Configuration	103
5.2	Operation via the display and operating module	31	Index	105	
5.3	Operation via Endress+Hauser operating tool "FieldCare"	43			
6	Commissioning	44			
6.1	Preparatory steps	44			
6.2	Configuration of the measurement	49			
6.3	Parametrization of the Analog Input Blocks	68			
6.4	Parametrization of the cyclic data telegram	69			
6.5	Parametrization of the on-site display	71			
7	Troubleshooting	74			
7.1	System error messages	74			
7.2	Possible calibration errors	80			
7.3	Envelope curve display	81			
7.4	Software history	84			

1 Safety Instructions

1.1 Designated use

The Prosonic S FMU95 is a transmitter for up to 10 ultrasonic sensors FDU90, FDU91, FDU91F, FDU92, FDU93, FDU95 and FDU96. The sensors of the class FDU8x can be connected as well.

Functions:

- display of up to 10 measuring values
- interference echo suppression for each connected sensor
- linearisation for each sensor individually programmable
- configurable calculation of sums and average values
- measuring value transmission via PROFIBUS DP

1.2 Installation, commissioning, operation

The Prosonic S FMU95 is fail-safe and constructed to the state-of-the-art. It meets the appropriate standards and EC directives. However, if you use it improperly or other than for its designated use, it may pose application-specific hazards, e.g. product overflow due to incorrect installation or configuration. Installation, electrical connection, start-up, operation and maintenance of the measuring device must therefore be carried out exclusively by trained specialists authorised by the system operator. Technical personnel must have read and understood these operating instructions and must adhere to them. You may only undertake modifications or repair work to the device when it is expressly permitted by the operating instructions.

1.3 Operational safety and process safety

Alternative monitoring measures must be taken to ensure operational safety and process safety during configuration, testing and maintenance work on the device.

Hazardous areas

Measuring systems for use in hazardous environments are accompanied by separate "Ex documentation", which is an integral part of this Operating Manual. Strict compliance with the installation instructions and ratings as stated in this Additional documentation is mandatory.

- Ensure that all personnel are suitably qualified.
- Observe the specifications in the certificate as well as national and local regulations.

The transmitter may only be installed in suitable areas. Sensors with a certificate for hazardous areas may be connected to a transmitter without a certificate.



Warning!

The sensors FDU83, FDU84, FDU85 and FDU86 with an ATEX, FM or CSA certificate are not certified for connection to the FMU90 transmitter.

For installations in the USA:









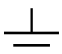


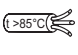
Installation should be in accordance with the National Electrical Code NFPA 70 (NEC)

For installations in Canada:

Installation should be in accordance with the Canadian Electrical Code (CEC)

1.4 Notes on safety conventions and symbols

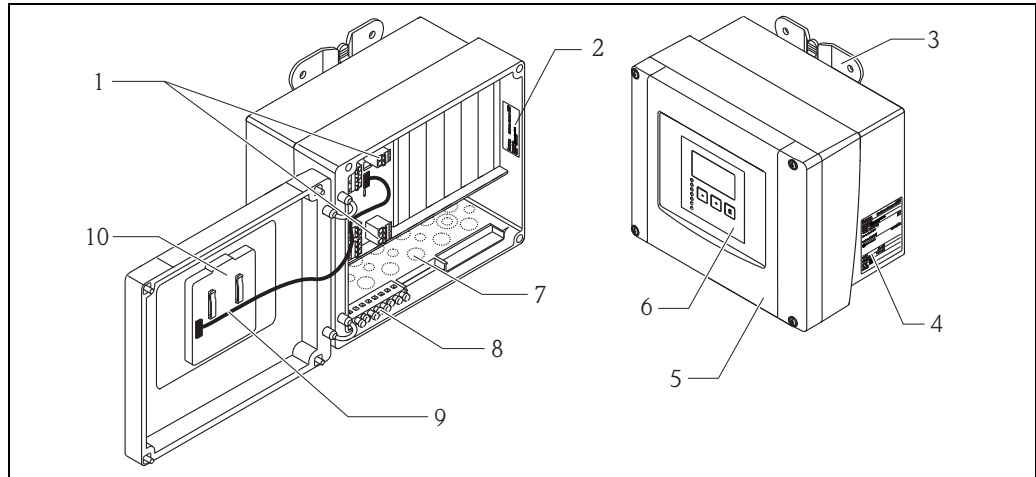
In order to highlight safety-relevant or alternative operating procedures in the manual, the following conventions have been used, each indicated by a corresponding symbol in the margin.

Safety conventions	
	<p>Warning! A warning highlights actions or procedures which, if not performed correctly, will lead to personal injury, a safety hazard or destruction of the instrument</p>
	<p>Caution! Caution highlights actions or procedures which, if not performed correctly, may lead to personal injury or incorrect functioning of the instrument</p>
	<p>Note! A note highlights actions or procedures which, if not performed correctly, may indirectly affect operation or may lead to an instrument response which is not planned</p>
Explosion protection	
	<p>Device certified for use in explosion hazardous area If the device has this symbol embossed on its name plate it can be installed in an explosion hazardous area</p>
	<p>Explosion hazardous area Symbol used in drawings to indicate explosion hazardous areas. Devices located in and wiring entering areas with the designation “explosion hazardous areas” must conform with the stated type of protection.</p>
	<p>Safe area (non-explosion hazardous area) Symbol used in drawings to indicate, if necessary, non-explosion hazardous areas. Devices located in safe areas still require a certificate if their outputs run into explosion hazardous areas</p>
Electrical symbols	
	<p>Direct voltage A terminal to which or from which a direct current or voltage may be applied or supplied</p>
	<p>Alternating voltage A terminal to which or from which an alternating (sine-wave) current or voltage may be applied or supplied</p>
	<p>Grounded terminal A grounded terminal, which as far as the operator is concerned, is already grounded by means of an earth grounding system</p>
	<p>Protective grounding (earth) terminal A terminal which must be connected to earth ground prior to making any other connection to the equipment</p>
	<p>Equipotential connection (earth bonding) A connection made to the plant grounding system which may be of type e.g. neutral star or equipotential line according to national or company practice</p>
	<p>Temperature resistance of the connection cables States, that the connection cables must be resistant to a temperature of at least 85 °C.</p>

2 Identification

2.1 Parts of the Prosonic S FMU95

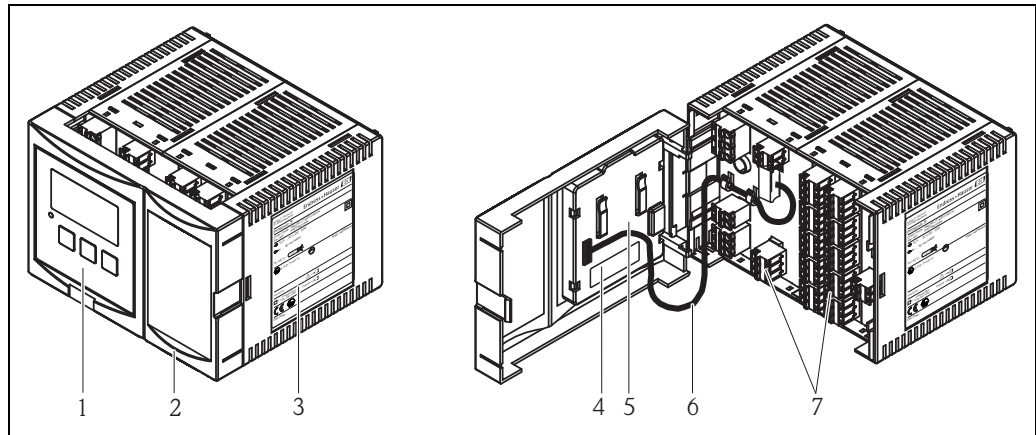
2.1.1 FMU95 in the field housing



L100-FMU90xxx-03-00-00-xx-001

- | | |
|---|---|
| 1 Terminals | 6 Display and operating module |
| 2 Instrument designation and identification | 7 Prestamped openings for cable entries |
| 3 Mounting help | 8 Grounding terminals |
| 4 Nameplate | 9 Display cable |
| 5 Cover of the terminal compartment | 10 Short instructions |

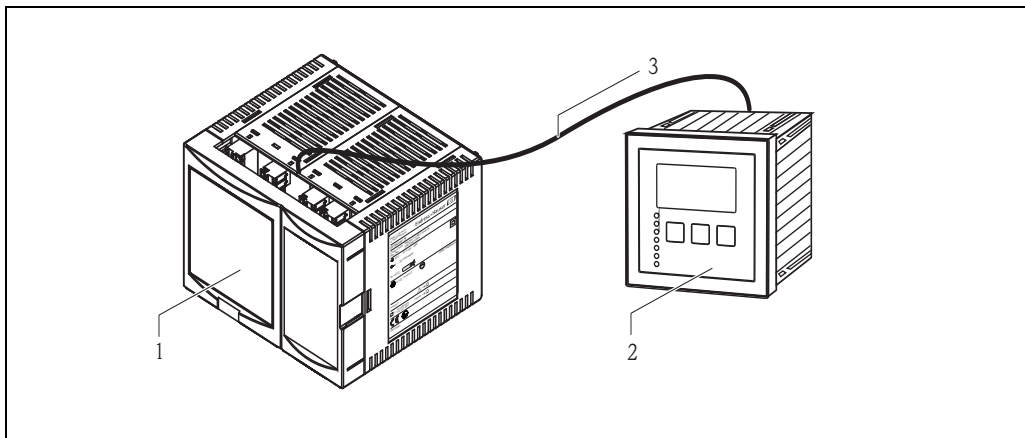
2.1.2 FMU95 in the DIN-rail housing



L100-FMU95xxx-03-00-00-xx-001

- | | |
|---|----------------------|
| 1 Display and operating module | 5 Display cable |
| 2 Cover of the terminal compartment | 6 Short instructions |
| 3 Nameplate | 7 Terminals |
| 4 Terminals Instrument designation and identification | |

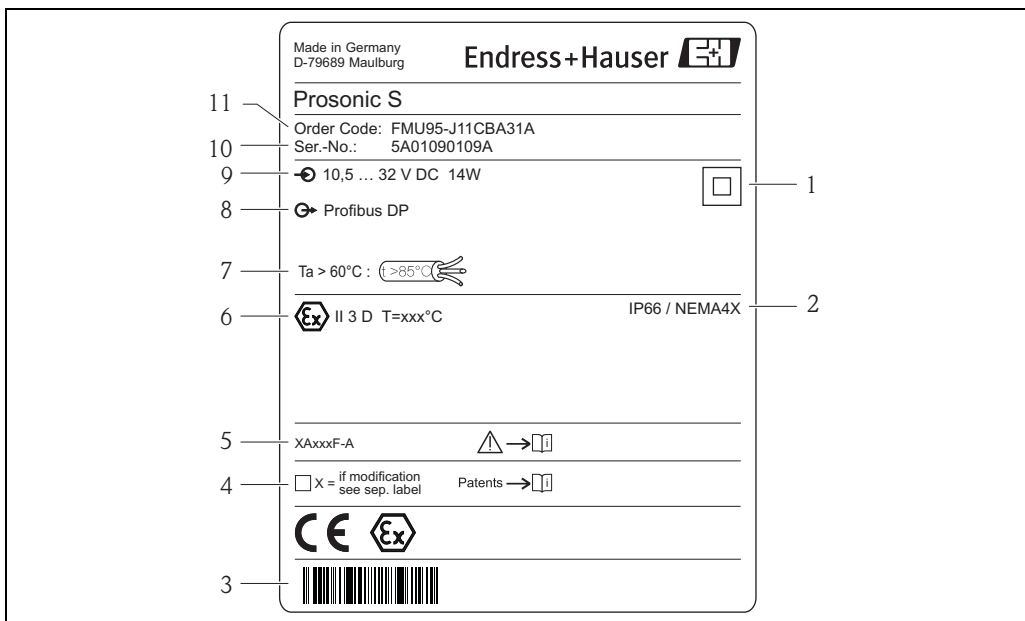
2.1.3 FMU95 with remote display and operating module for cabinet door and switchboard mounting (96 x 96 mm (3.78 x 3.78 in))



L00-FMU95xxx-03-00-00-xx-002

- 1 DIN-rail housing without display
- 2 Remote display and operating module for cabinet mounting
- 3 The cable (3 m (9.8 ft)) is supplied

2.2 Nameplate (Example)



L00-FMU95xxx-18-00-00-xx-001

- 1 Specification of the electrical protection class (protective insulation)
- 2 Ingress protection
- 3 Barcode
- 4 Marked if a modification nameplate is present
- 5 Reference to additional safety-relevant documentation
- 6 Certificate-related data
- 7 Specification of required temperature resistance of the connection cables
- 8 Output signal
- 9 Power supply
- 10 Serial number
- 11 Order code (as defined by the product structure)


2.3 Product structure

010	Approval										
	R										Non-hazarous area
	J										ATEX II 3D
	N										CSA General Purpose
020	Application										
											1 Level
030	Housing, material										
											1 Field mounting PC, IP66 NEMA 4x
											2 DIN rail mounting PBT, IP20
040	Operation										
											C Illuminated display + keypad
											E Illuminated display + keypad, 96x96, panel mounting, front IP65
											K w/o display, via communication
050	Power supply										
											A 90-253 VAC
											B 10.5-32 VDC
060	Level input										
											A 5x sensor FDU9x/8x
											B 10x sensor FDU9x/8x
080	Output										
											3 PROFIBUS DP
110	Language (*)										
											1 de, en, nl, fr, es, it, pt
											2 de, en, ru, pl, cs
											3 en, zh, ja, ko, th, id
120	Additional option										
											A Basic version
											L 5-point linearity protocol only to order with FDU9x sensor + 5-point linearity protocol
995	Marking										
											1 Tagging (TAG)
											2 Bus address
FMU95 -											complete product designation

(*): meaning of the language code:

cs: Czech; de: German; en: English; es: Spanish; fr: French; id: Bahasa (Indonesia, Malaysia); it: Italian; ja: Japanese; ko: korean; nl: Dutch; pl: Polish; pt: Portuguese; ru: Russian; th: Thai; zh: Chinese

2.4 Scope of delivery

- Instrument according to the version ordered
- Endress+Hauser operating program on the enclosed CD-ROM
- For FMU95-***E****:
 - remote display and operating module; retainers; connection cable (3 m (9.8 ft))
- Accessories →  88
- Approval documentation: if this is not included in the operating manual (Refer to the nameplate for the names of the safety instructions that apply to your device version.)
- CD-ROM with further documentation, e.g.
 - Technical Information
 - Operating Instructions
 - Description of Instrument Functions
 - Slot/Index tables
- Brief operating instructions for quick commissioning: KA01069F

2.5 Certificates and approvals

CE mark, declaration of conformity

The device is designed to meet state-of-the-art safety requirements, has been tested and left the factory in a condition in which it is safe to operate. The device complies with the applicable standards and regulations as listed in the EC declaration of conformity and thus complies with the statutory requirements of the EC directives. Endress+Hauser confirms the successful testing of the device by affixing to it the CE mark.

2.6 Registered trademarks

PROFIBUS®

Registered trademark of the PROFIBUS Trade Organisation, Karlsruhe, Germany

ToF®

Registered trademark of the company Endress+Hauser GmbH+Co. KG, Maulburg, Germany

FieldCare®

Trademark of Endress+Hauser Process Solutions AG

3 Installation

3.1 Incoming acceptance, transport, storage

3.1.1 Incoming acceptance

Check the packing and contents for any signs of damage.

Check the shipment, make sure nothing is missing and that the scope of supply matches your order.

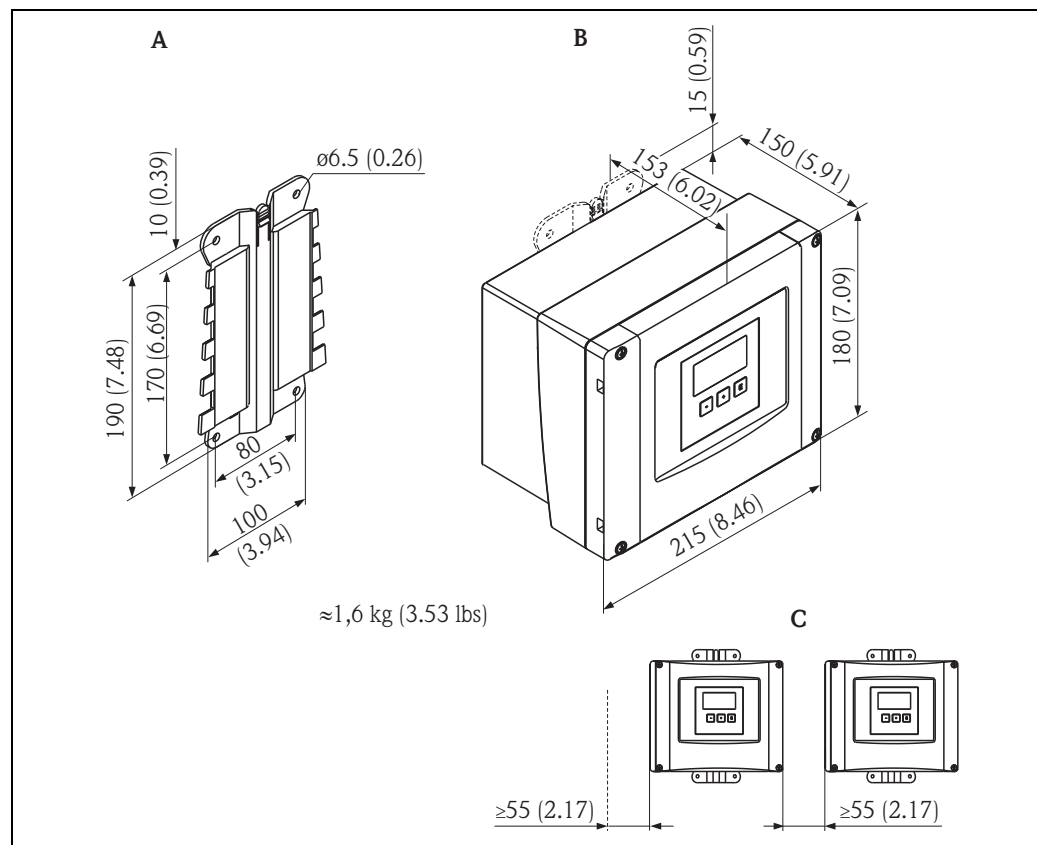
3.1.2 Transport, storage

Pack the measuring instrument so that it is protected against impacts for storage and transport. The original packing material provides the optimum protection for this.

Permissible storage temperature: -40 to +60 °C (-40 to +140 °F)

3.2 Mounting the field housing

3.2.1 Dimensions of the field housing



Dimensions in mm (in)

A Mounting help (supplied); can also be used as drilling template

B Field housing

C Minimum mounting distance

The dimensions of the field housing are the same for all instrument versions.

To open the housing, a minimum mounting distance of 55 mm (2.17 in) is required on the left.

3.2.2 Installation conditions

Weather protection

In order to avoid excessive sunlight exposure, the instrument should be mounted in a position which is protected against direct sunlight or a protection cover should be applied (→ 88, "Accessories").

Overvoltage protection

In order to protect the Prosonic against overvoltages (especially if mounted outdoors), connection of an overvoltage protection is recommended (→ 88, "Accessories").

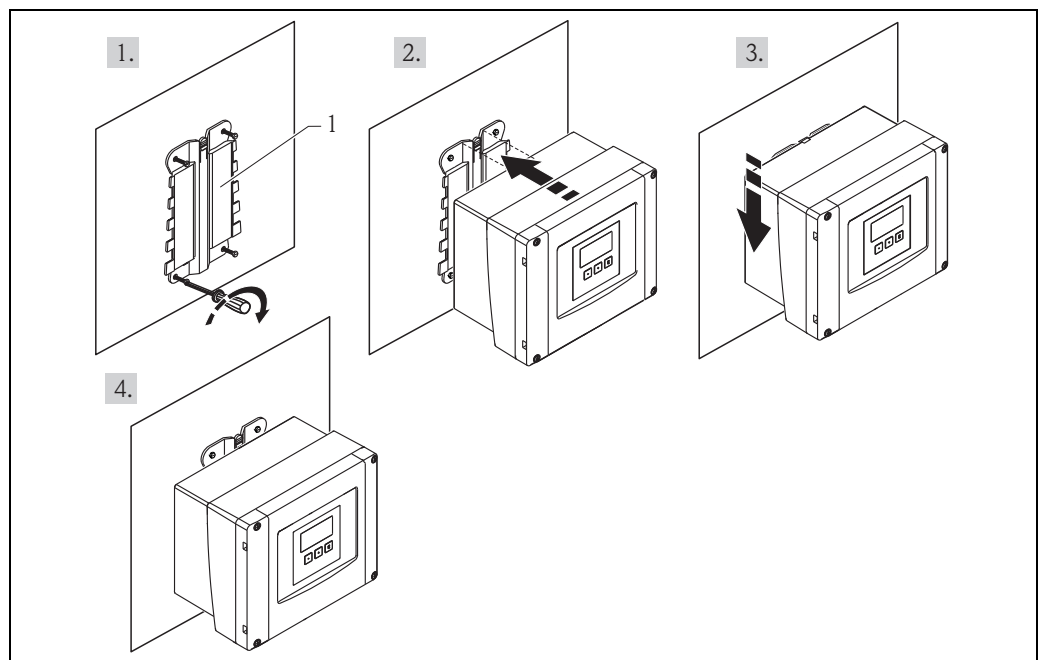
Wall mounting

A mounting help for wall mounting is supplied. It also serves as drilling template. The mounting help should be mounted on a flat surface and may not become distorted.

Pipe mounting

A mounting plate is available for mounting of the field housing to 1" to 2" pipes (→ 88, "Accessories").

3.2.3 Installation

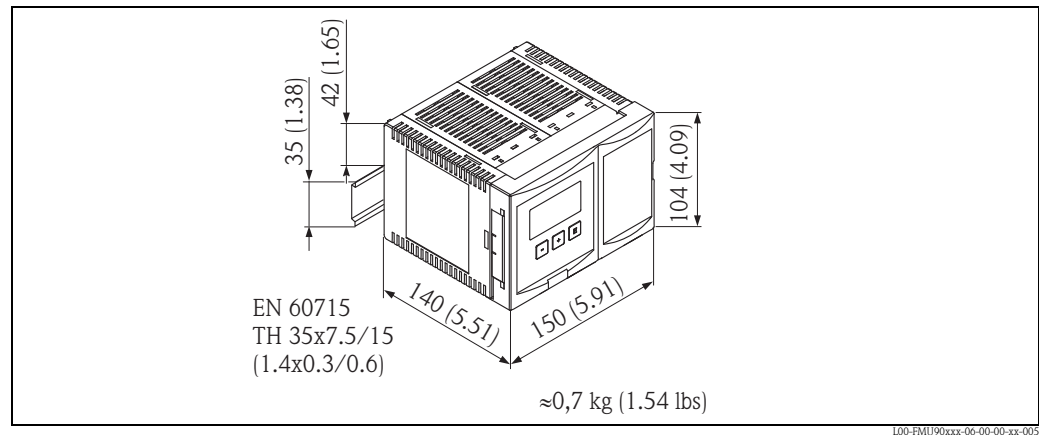


1 Wall mounting with mounting help

L00-FMU190xxx-17-00-00-xx-003

3.3 Mounting the DIN-rail housing

3.3.1 Dimensions of the DIN-rail housing

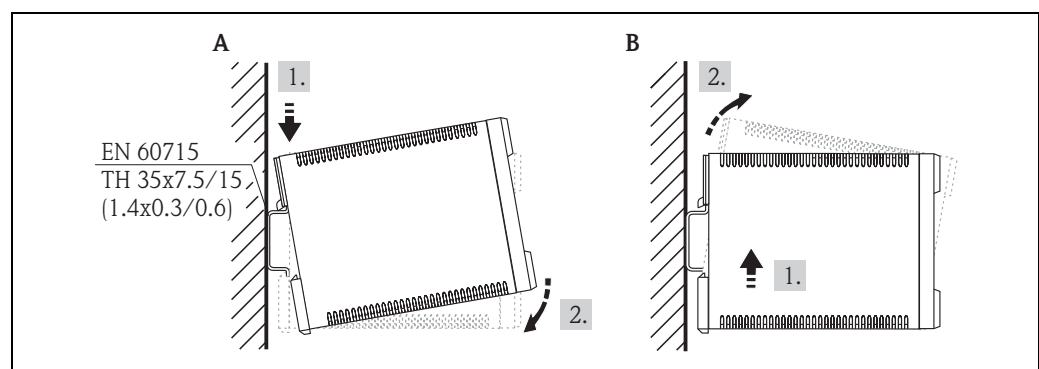


Dimensions in mm (in)

3.3.2 Installation conditions

- The DIN-rail housing must be mounted outside hazardous areas in a cabinet.
- The housing is mounted on a DIN rail EN 60715 TH 35x7.5 or TH 37x15.
- Do not install the instrument in the vicinity of high-voltage lines, motor lines, contactors or frequency converters. The installation regulations for high-voltage lines, motor lines, contactors or frequency converters must be observed.
- To ensure easy mounting and opening of the housing, a distance of approx. 10 mm (0.39 in) should be kept between the instruments.
- In order to avoid interference signals, the sensor cables must not be laid parallel to high voltage or electric power lines.
- The cables may not be laid in the proximity to frequency converters.

3.3.3 Mounting



A Attaching the instrument to the rail
B Detaching the instrument from the rail

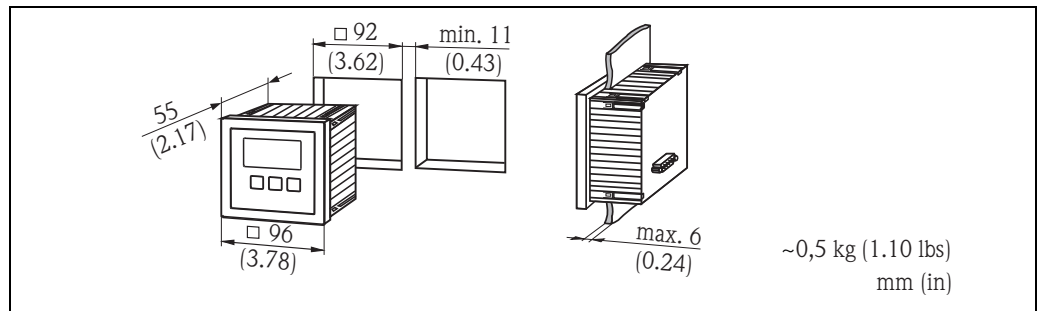
3.4 Mounting the remote display and operating module

3.4.1 Scope of delivery

If the Prosonic S is ordered with the display for cabinet door mounting, the following is contained in the scope of delivery:

- Display and operating module, 96 x 96 mm (3.78 x 3.78 in)
- 4 retainers (with nuts and screws)
- Connection cable (3 m (9.8 ft)) for connection to the transmitter (preassembled with suitable plugs).

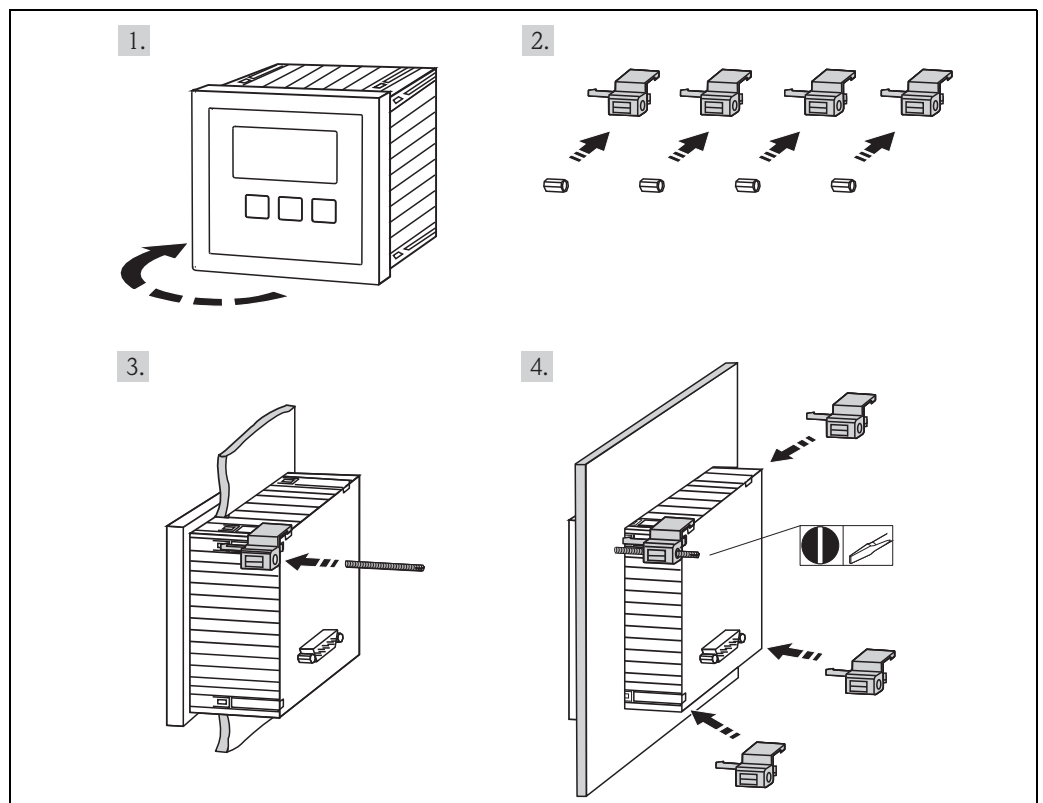
3.4.2 Dimensions of the separate display and operating module



L00-FMU90xxxx-06-00-00-xx-004

3.4.3 Mounting

1. Cut an opening of 92 x 92 mm (3.62 x 3.62 in) into the intended mounting position (e.g. cabinet door).
2. Insert the remote display module into the opening and fix the retainers as shown in the following figure:



L00-FMU90xxxx-17-00-00-xx-002

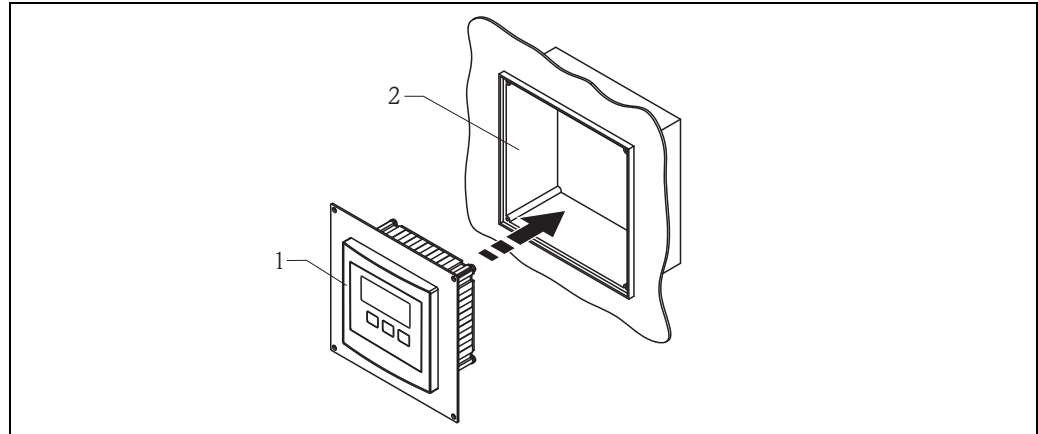
3.4.4 Adaption plate

If an opening of 138 x 138 mm and the remote display of the Prosonic FMU860/861/862 are already present, you can use the adaption plate (Order Code: 52027441, (→ 88, "Accessories"). It is inserted into the remote display of the FMU860/861/862.



Note!

The adapter plate is mounted directly in the housing of the old remote display of the FMU86x series. The housing of the remote display of the FMU86x is the holder for the adapter plate and the new remote display of the FMU90/FMU95 in the format 96 x 96 mm (3.78 x 3.78 in).



- 1 Remote display of the FMU90 with adaption plate
2 Opening of the remote display of the FMU860/861/862

L00-FMU90xxx-06-00-00-xx-006

3.5 Mounting of the sensors

Information on the mounting of the sensors can be found in the following documents:

- Technical Information TI00189F (for FDU8x)
- Technical Information TI00396F (for FDU9x)

These documents are supplied with the sensors.

3.6 Installation check

After installing the device, carry out the following checks:

- Is the device damaged (visual inspection)?
- Does the device correspond to the measuring point specifications such as process temperature, process pressure, ambient temperature, measuring range etc?
- If available: Are the measuring point number and labelling correct?
- Is the instrument sufficiently protected against rainfall and direct sunlight?
- For the field housing: Are the cable glands tightened correctly?
- Is the instrument securely mounted to the DIN rail or the mounting help (visual inspection)?
- For the field housing: Are the screws of the terminal compartment cover securely tightened (visual inspection)?

4 Wiring



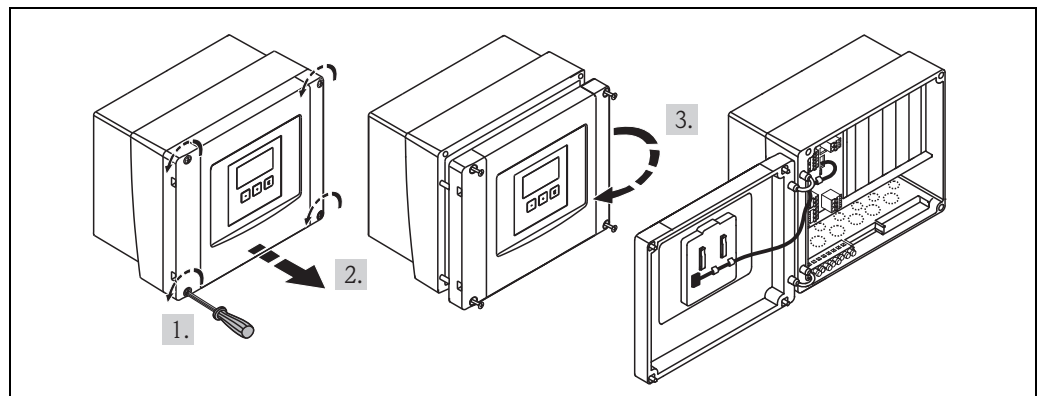
Warning!

The instrument may only be installed if the supply voltage is switched off.

4.1 Terminal compartment

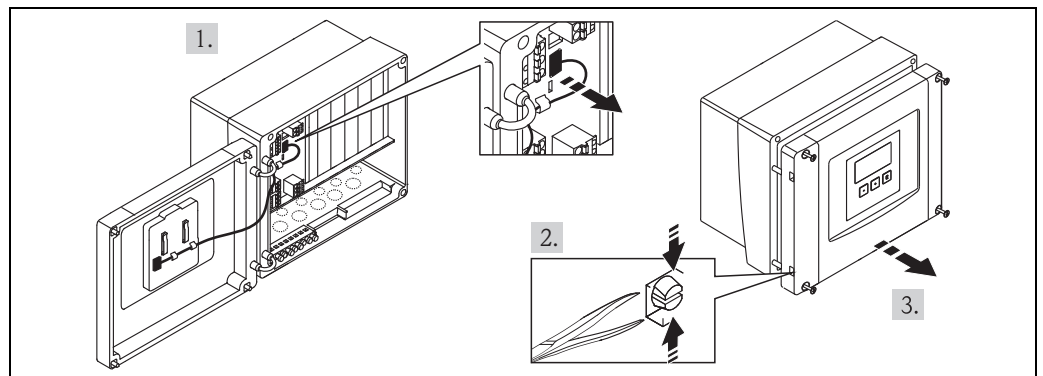
4.1.1 Terminal compartment of the field housing

The field housing has a separate terminal compartment. It can be opened after loosening the four screws of the lid.



L00-FMU90xxx-04-00-00-xx-002

For easier wiring, the lid can be completely removed by unplugging the display plug (1) and loosening the hinges (2):



L00-FMU90xxx-04-00-00-xx-009

4.1.2 Cable entries of the field housing

The following openings for cable entries are prestamped on the bottom of the housing :

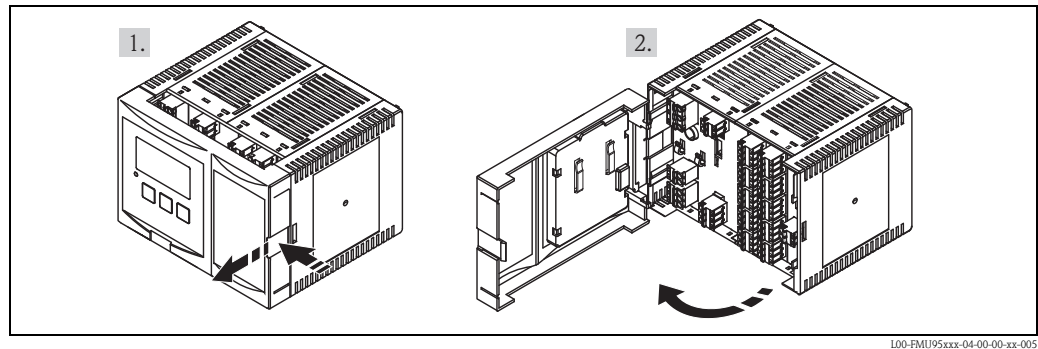
- M20x1,5 (10 openings)
- M16x1,5 (5 openings)
- M25x1,5 (1 opening)

The required number and types of cable entries depend on the application at hand.

The prestamped openings can be removed by a suitable tool (e.g. knife or boring bit) or by punching them out cautiously.

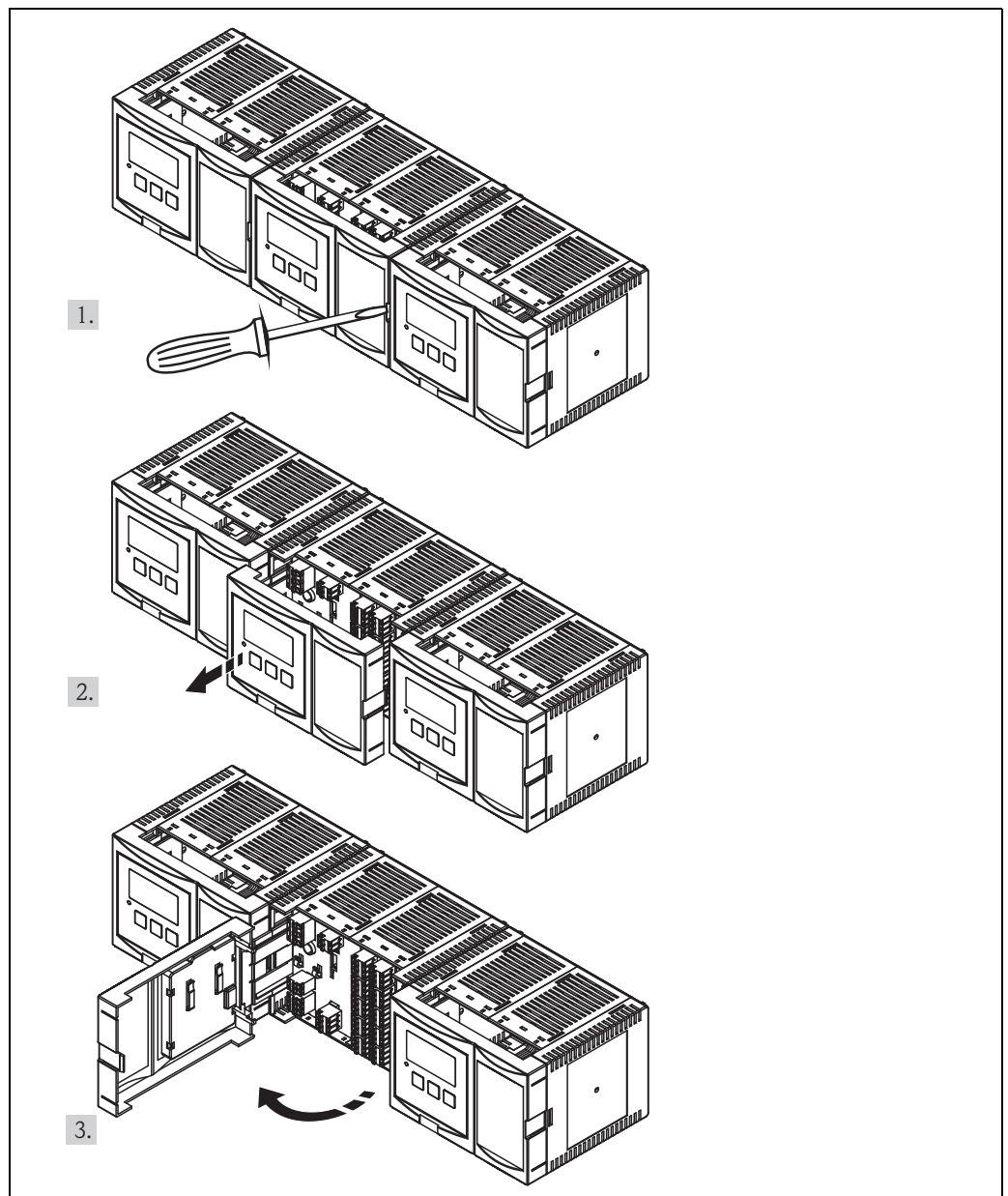
4.1.3 Terminal compartment of the DIN-rail housing

Single instrument



The catch can be unlocked by slightly pressing onto the clip. Then, the cover of the terminal compartment can be opened.

Several instruments mounted side by side



100-FMU95KAx-04-00-00-xx-005

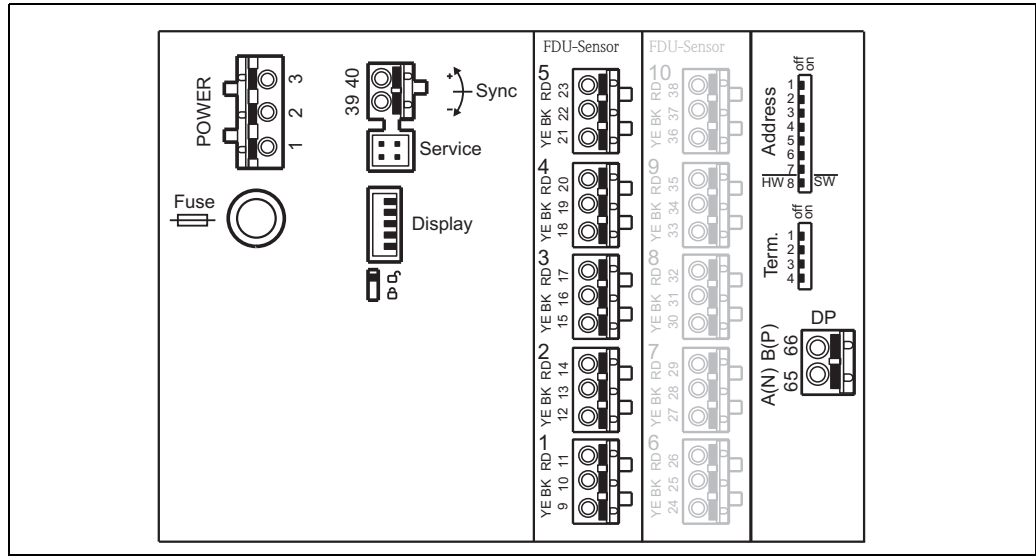
1. Open the catch of the cover (e.g. by a screwdriver).
2. Pull the cover out by approx. 20 mm (0.79 in) .
3. The cover can now be opened.



Note!

- The cables can be inserted into the housing from above or from below.
- If the instruments are mounted next to each other and if the sensor cables run in parallel, the synchronization terminals (39 and 40) must be interconnected (→ 18 "Terminal assignment" und → 24 "Synchronization line").

4.2 Terminal assignment



100-FMU90xxx-04-00-00-xx-001

Terminals of the Prosonic S FMU95; the terminals depicted in grey are not present in every instrument version.

Terminals	Meaning	Remarks
Auxiliary energy		
1	<ul style="list-style-type: none"> ■ L (for AC version) ■ L+ (for DC version) 	depending on instrument version: <ul style="list-style-type: none"> ■ 90 ... 253 V_{AC} ■ 10,5 ... 32 V_{DC}
2	<ul style="list-style-type: none"> ■ N (for AC version) ■ L- (for DC version) 	
3	Potential equalization	
Fuse		depending on instrument version: <ul style="list-style-type: none"> ■ 400 mA T (for AC) ■ 2 A T (for DC)
Bus communication		
65	PROFIBUS A (RxT/TxD - N)	
66	PROFIBUS B (RxT/TxD - P)	
Synchronization		
39, 40	Synchronization	→ 24, "Synchronization line"
Level inputs		
09,10,11	Sensor 1 (FDU8x/9x)	YE: yellow strand BK: black strand RD: red strand
12, 13, 14	Sensor 2 (FDU8x/9x)	
15, 16, 17	Sensor 3 (FDU8x/9x)	
18, 19, 20	Sensor 4 (FDU8x/9x)	
21, 22, 23	Sensor 5 (FDU8x/9x)	
24, 25, 26	Sensor 6 (FDU8x/9x)	only available for the version with 10 sensor inputs YE: yellow strand BK: black strand RD: red strand
27, 28, 29	Sensor 7 (FDU8x/9x)	
30, 31, 32	Sensor 8 (FDU8x/9x)	
33, 34, 35	Sensor 9 (FDU8x/9x)	
36, 37, 38	Sensor 10 (FDU8x/9x)	


**Warning!**

When using the public supply mains, an easily accessible power switch must be installed in the proximity of the device. The power switch must be marked as a disconnecter for the device (IEC/EN 61010)

**Note!**

- In order to avoid interference signals, the sensor cables should not be laid parallel to high voltage or electric power lines.
- The cables may not be laid in the proximity to frequency converters.

Additional elements on the terminal areas

Designation	Meaning/Remarks
Fuse	Fuse: 2 A T /DC or 400 mA T/AC
Display	Connection of the display or the remote display and operating module (→ 25)
Service	Service interface for connection of a PC/Notebook via Commubox FXA291 (→ 29)
	Locking switch, → 47 "Unlock configuration"
Term.	Bus termination
Address	Bus address

**Warning!**

On wiring, the supply voltage must be switched off.

4.3 Connection to a PROFIBUS DP network



Note!

Information on the structure of a PROFIBUS DP network can be found in the Operating Instructions BA 034S ("PROFIBUS PA/DP - Guidelines for planning and commissioning").

4.3.1 Cable specifications

For transmission rates up to 12 MBit/s cable type A according to EN 50170 can be used. The specifications are summarized in the following table:

Terminator	135 Ω to 165 Ω at a measuring frequency from 3 MHz to 20 MHz
Cable capacitance	< 30pF per meter
Core cross-section	> 0.34 mm ² , corresponds to AWG 22
Cable type	twisted pairs, 1x2, 2x2 or 1x4 core
Loop resistance	110 Ω per km
Signal attenuation	max. 9 dB over the entire length of the segment
Screening	woven copper sheath or woven sheath and foil sheath

Pre-assembled cables are available from Endress+Hauser (→  88, "Accessories").

4.3.2 T-box

It is recommended to connect the Prosonic S to the bus by a T-box.

Suitable T-boxes are available from Endress+Hauser (→  88, "Accessories").

4.3.3 Spurs

Spurs are the connection cables from the bus to the instrument.



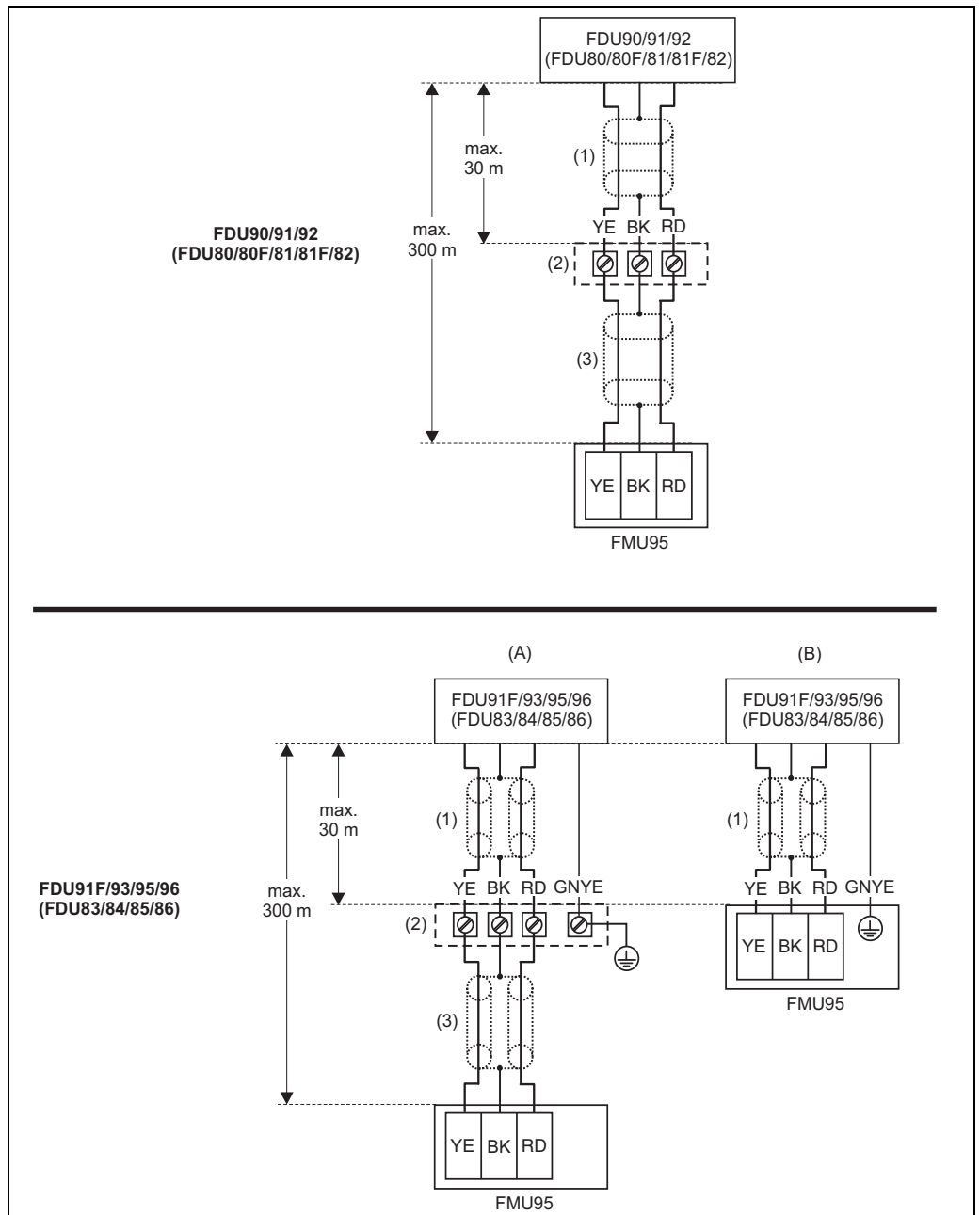
Caution!

Observe the following:

- Total length of all spurs < 6.6 m (22 ft), (for a maximum baudrate of 1.5 MBit/s)
- For baud rates > 1.5 MBit/s no spurs should be used. A spur is the cable between the connector and the bus driver in the field instrument. Plant experience has shown that much care should be taken when planning the spurs. It can not be guaranteed that the sum of all spurs at 1.5 MBit/s may be 6.6 m (22 ft). The actual arrangement of the field instruments has a great influence on this. Therefore it is strictly recommended to use no spurs for transmission rates > 1.5 MBit/s.
- If usage of spurs can not be avoided, these may not have a bus termination.

4.4 Sensor connection

4.4.1 Connection diagram



100-FMU95xxx-04-00-00-xx-004

- (A):** grounding at the terminal box;
 - (B):** grounding at the transmitter FMU90;
 - (1):** Screen of the sensor cable;
 - (2):** Terminal box;
 - (3):** Screen of the extension cable;
- Colours of the strands: YE = yellow; BK = black; RD = red; GNYE = green-yellow

4.4.2 Connection hints



Caution!

- In order to avoid interference signals, the sensor cables should not be laid parallel to high voltage electric power lines. The cables may not be laid in the proximity to frequency converters.
- The cable screen serves as a return cable and must be connected to the transmitter without any electrical break. With the pre-assembled cables, the screen ends in a black strand (BK). With the extension cable, the screen must be twisted together and connected to the "BK" terminal.



Warning!

- The sensors FDU83, FDU84, FDU85 and FDU86 with an ATEX, FM or CSA certificate are not certified for connection to the FMU90 transmitter.
- for the sensors FDU91F/93/95/96 and FDU83/84/85/86:
The ground lead (GNYE) must be connected to the local potential equalization **after a maximum distance of 30 m (98 ft)**. This can be done
 - either at the terminal box
 - or at the transmitter FMU90 or in the cabinet (if the distance to the sensor does not exceed 30 m (98 ft).



Note!

For easier mounting it is advisable to use the sensors FDU90/91/92 and FDU80/80F/81/81F/82 with a maximum cable length of 30 m (98 ft) as well. For longer distances an extension cable with a terminal box should be used.

4.4.3 Extension cables for the sensors

For distances up to 30 m (98 ft) the sensor can be directly connected by the sensor cable. For longer distances, it is recommended to use an extension cable. The extension cable is connected via a terminal box. The total length (sensor cable + extension cable) may be up to 300 m (984 ft).



Caution!

If the terminal box is installed in explosion hazardous areas, all applicable national guidelines must be observed.

Suitable extension cables can be obtained from Endress+Hauser (→  88, "Accessories")

Alternatively, cables with the following properties can be used:

- Number of cores according to the connection diagram (see above)
- braided wire screen for the yellow (YE) and red (RD) core (no foil screen)
- Length: up to 300 m (984 ft), sensor cable + extension cable
- Cross section: 0.75 mm² to 2.5 mm² (18 to 14 AWG)
- up to 8 Ω per core
- max. 60 nF (between core and screen)
- for FDU91F/93/95/96 and FDU 83/84/85/86:
The earth lead must not be within the screening.

4.5 Shortening the sensor cable

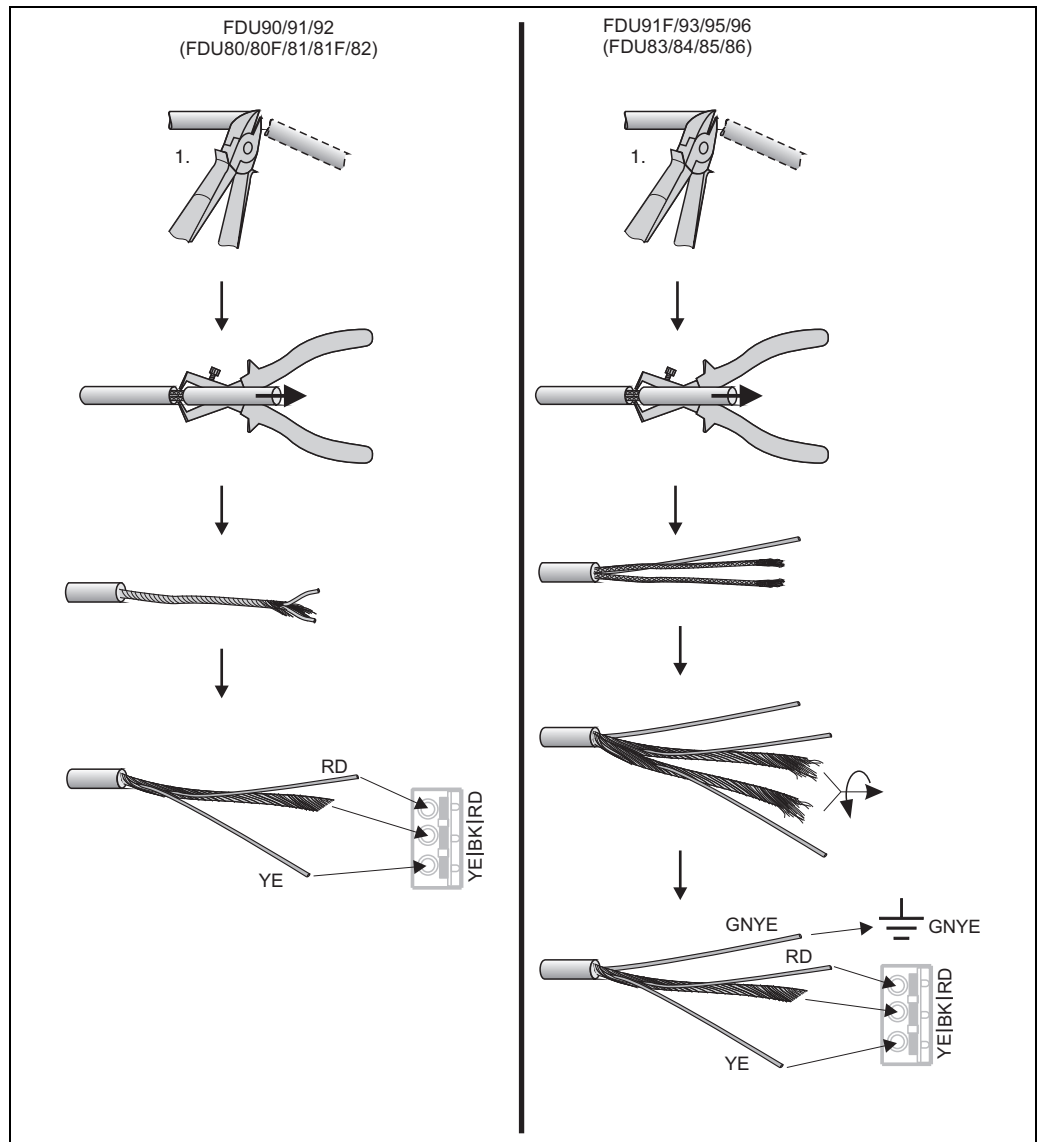
If required, the sensor cable can be shortened. Please note:

- Do not damage the cores when removing the insulation.
- The cable is shielded by a metallic braiding. This shielding serves as a return cable and corresponds to the black (BK) strand of the unshortened cable. After shortening the cable, loosen the metallic braiding, twist it together securely and connect it to the "BK" terminal.



Caution!

The protective earth conductor (GNYE), which is present in some of the sensor cables, may not be electrically connected to the cable shield.

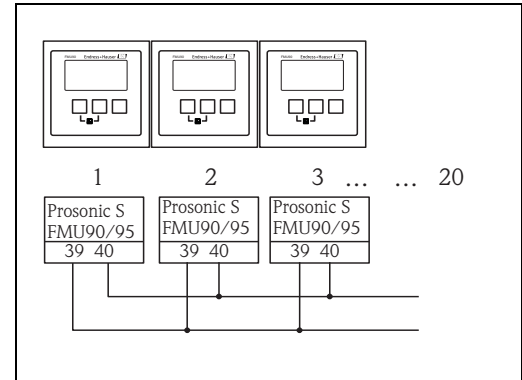


L00-FMU95xxx-04-00-00-xxx-011

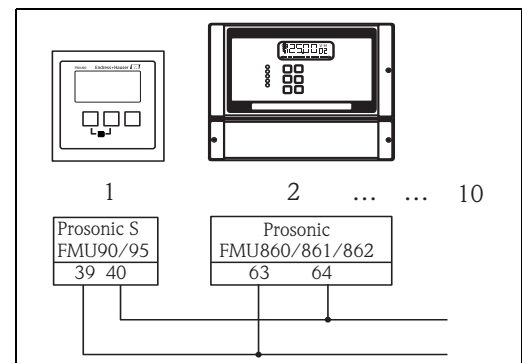
Colours of the strands: YE = yellow; BK = black; RD = red; GNYE = green-yellow

4.6 Synchronization line

- If wiring several Prosonic S (FMU90/FMU95) which are mounted in a common cabinet and if the sensor cables run in parallel, the synchronization terminals (39 and 40) must be interconnected.
- Up to 20 instruments can be synchronized in this way.
- The synchronization causes the evaluation units FMU9x to send the pulses simultaneously. Only after all sensors have received their signal, new simultaneous pulses are sent. This prevents pulses in the sensor cable of one sensor from influencing the received signal on the cable of a different sensor.
- If there are more than 20 instruments, groups must be formed, each containing a maximum of 20 instruments. For the instruments within each group, the sensor cables may run in parallel. The sensor cables of different groups must be separated from each other.
- Usual commercial screened cable can be used for synchronization
 - max. length: 10 m (33 ft) between the individual instruments
 - cross section: $2 \times (0.75 \text{ to } 2.5 \text{ mm}^2)$ (18 to 14 AWG)
 - for lengths up to 1 m (3.3 ft), an unscreened cable can be used; for lengths exceeding 1 m (3.3 ft), screening is required. The screen must be connected to ground
- Instruments of the Prosonic FMU86x family can be connected to the synchronization line as well. In this case a maximum of 10 instruments can be connected to each synchronisation line.

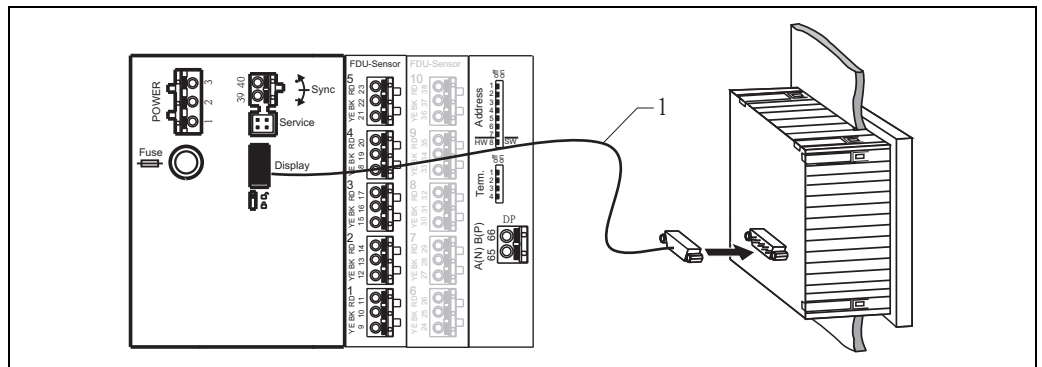


I00-FMU90xxx-04-00-00-xx-004



I00-FMU90xxx-04-00-00-xx-017

4.7 Connection of the separate display and operating module



L00-FMU195xxx-04-00-00-xx-008

1 Connection of the display plug with the cable (3 m (9.8 ft))

For the version of the Prosonic S with a separate display for panel mounting, a pre-assembled connecting cable (3 m (9.8 ft)) is supplied. The cable must be connected to the display plug of the Prosonic S.





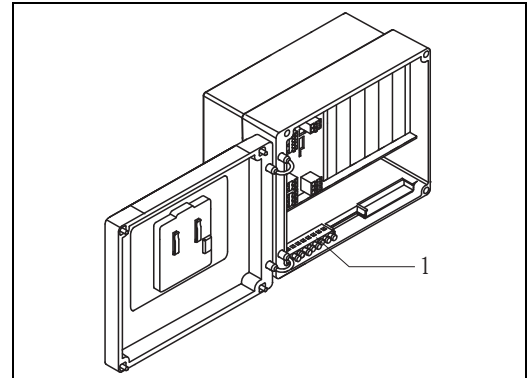
Note!

Minimum diameter for cable bushing: 20 mm (0.79 in).

4.8 Potential equalization

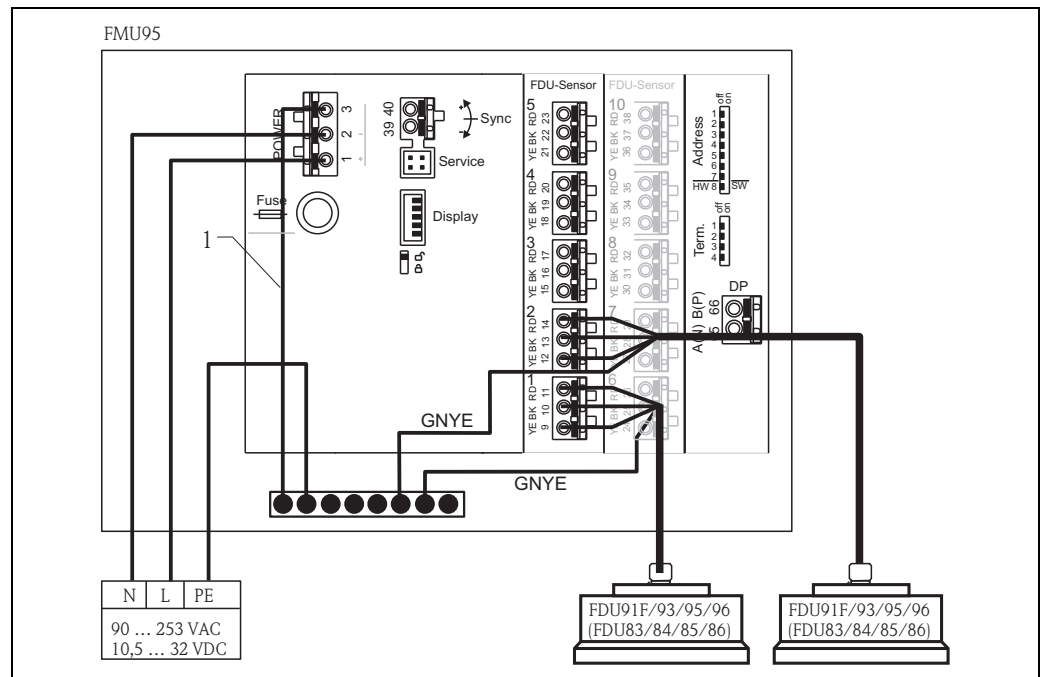
4.8.1 Potential equalization in the field housing

 **Warning!**
 The grounding line of the sensors FDU91F/93/95/96 and FDU83/84/85/86 must be connected to the local potential equalization system **after a maximum of 30 m (98 ft)**, (→  20). The metallic terminal block (1) in the field housing can be used for this.



L00-FMU90xxx-04-00-00-xx-006

Example



L00-FMU95xxx-04-00-00-xx-009

1 The wire is already connected on delivery

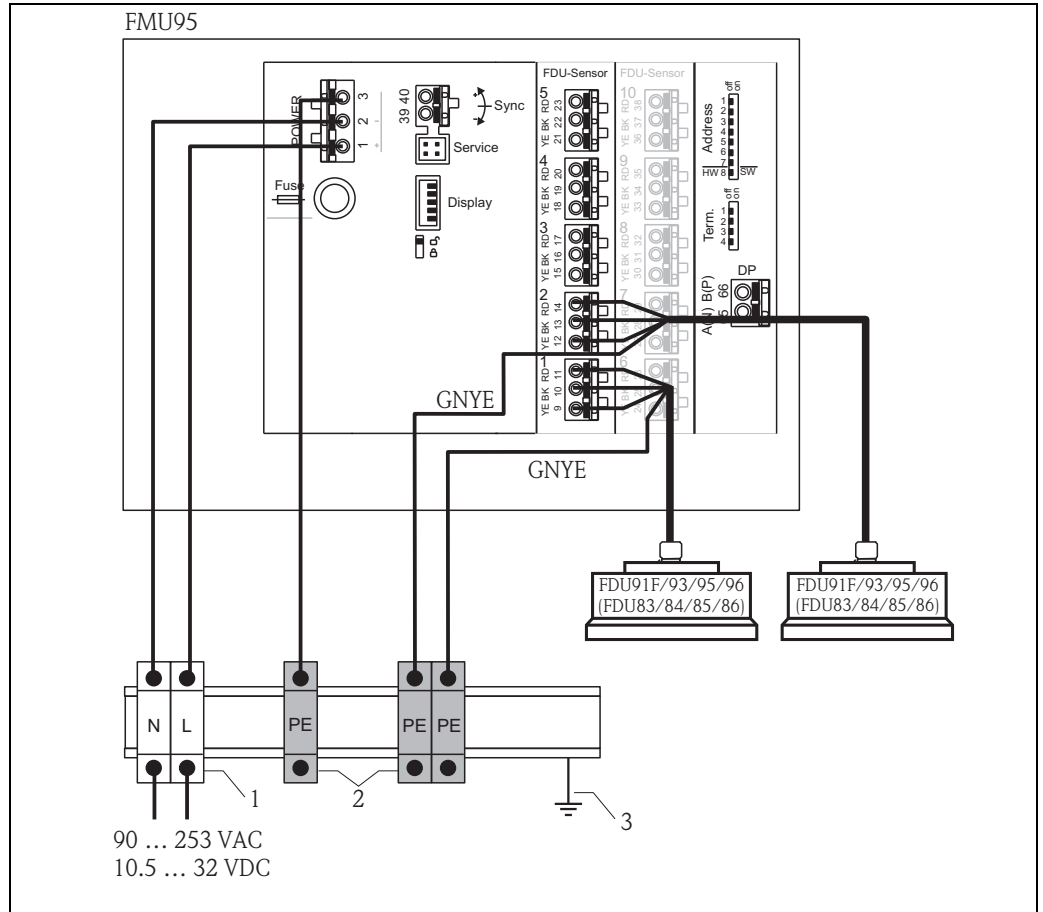
4.8.2 Potential equalization for the DIN-rail housing

If the DIN-rail housing is used, the potential equalization must be connected in the cabinet, e.g. at a metallic DIN rail:



Warning!

The grounding line of the sensors FDU91F/93/95/96 and FDU83/84/85/86 must be connected to the local potential equalization system **after a maximum of 30 m (98 ft)**, (→ 20).



L00-FMU95xxxx-04-00-00-xx-010

- 1 Terminal (isolated from the DIN rail)
- 2 Protective earth terminal (with contact to the DIN rail)
- 3 Protective ground via DIN rail



Caution!

The signal evaluation electronics and its direct connections (display interface, service interface etc.) are galvanically isolated from the supply voltage and the communication signals. Their electric potential is identical to the potential of the sensor electronics.

Pay attention to the potential difference if the sensors are connected to ground!



Note!

- The longest required distance has to be taken into account when removing the jacket of the sensor cable (GNYE in the above example).
- When shortening the sensor cable, comply to the notes → 23.

4.9 Post-connection check

After wiring the transmitter, carry out the following checks:

- Is the terminal assignment correct?
- For the field housing: Are the cable glands tight and is the cover of the terminal compartment securely closed?
- If auxiliary energy is switched on: Does a display appear on the display module (if available) and does the green LED light up?

5 Operation

This chapter gives an overview of the operating options for the instrument. It describes the different methods of parameter access and states the pre-conditions for each case.

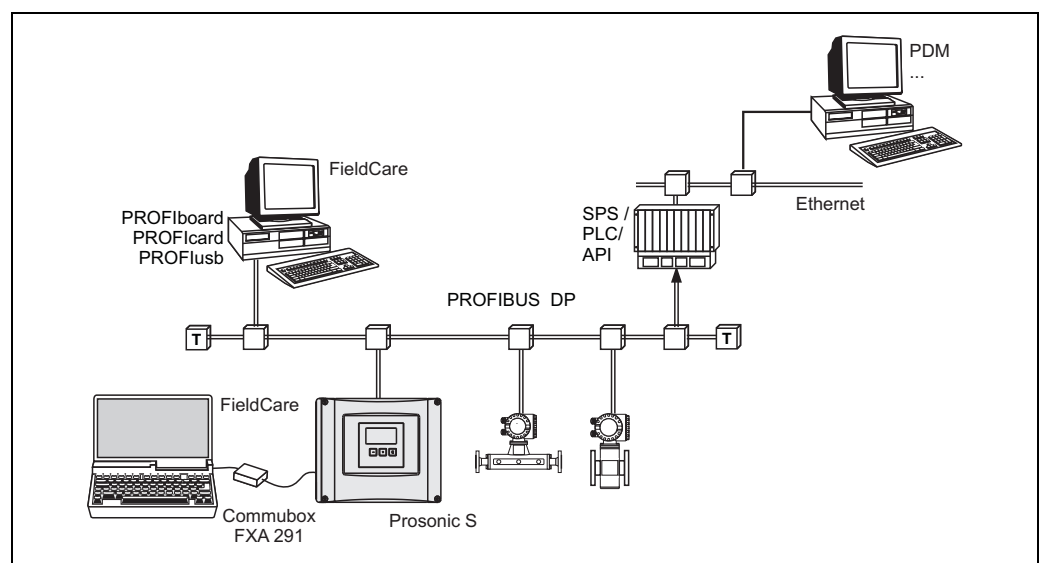
The meaning of the individual parameters is not part of this chapter but can be found in:

- → Chap. 6: "Commissioning"
- Operating Instructions BA00345F: "Prosonic S FMU95 - Description of Instrument Functions"

This chapter contains the following sections:

- → Chap. 5.1 Operating options
- → Chap. 5.2 Operation via the display and operating module
- → Chap. 5.3 Operation via Endress+Hauser operating tool "FieldCare"

5.1 Operating options



L00-FMU90xxx-14-00-00-xx-021

5.1.1 On-site operation

- Display and operating module at the Prosonic S
- Endress+Hauser operating tool "FieldCare" with Commubox FXA291



Note!

Commubox FXA291 is an interface adapter from Endress+Hauser.

5.1.2 Remote operation

Endress+Hauser operating tool "FieldCare" with PROFICard, PROFIBus or PROFIBus



Note!

PROFIboard, PROFICard and PROFIBus are interface adapters from Endress+Hauser.

Acyclic data exchange

Remote operation makes use of the acyclic data exchange, which allows device parameters to be changed independently of the communication between the device and a PLC.

Acyclic data exchange is used

- to transmit device parameters during commissioning and maintenance;
- to display measured values that are not acquired in cyclic traffic.

The Prosonic S supports class 2 masters:

Acyclic communication with a Class 2 master (MS2AC)

In the case of MS2AC, a Class 2 master opens a communication channel via a so-called service access point (SAP) in order to access the device. Class 2 masters is for example:

- FieldCare

Before data can be exchanged via PROFIBUS, however, the Class 2 master must be made aware of the parameters contained within the field device. This can be done by:

- a device description (DD)
- a device type manager (DTM)
- a software component within the master, which accesses the parameters via slot and index addresses.



Note!

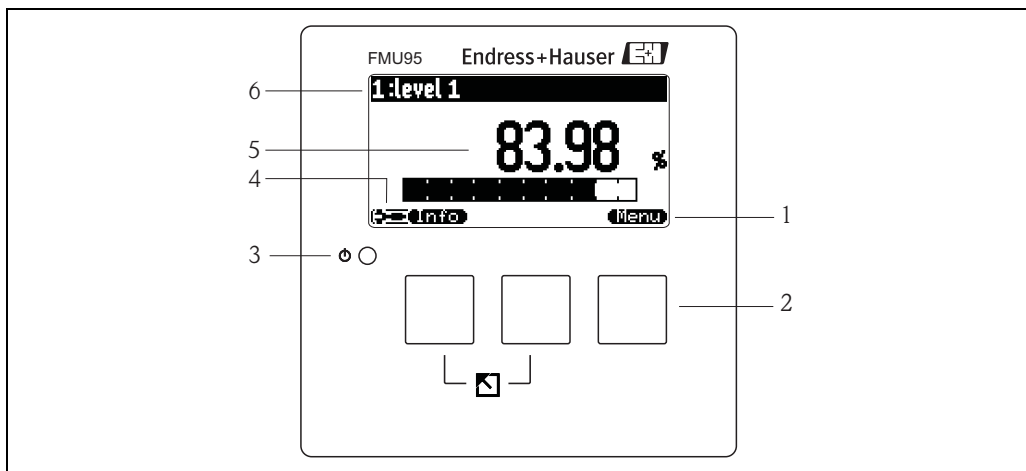
- The DD or DTM is supplied by the device manufacturer.
- The Prosonic S has two Service Access Points. Therefore, it can be simultaneously accessed by two Class 2 masters.
- The use of a Class 2 master increases the cycle time of the bus system. This must be taken into consideration when the control system or PLC is programmed.

Slot-Index tables

The Slot-Index tables for the general acyclic data exchange are summarized in the document BA00346F on the enclosed CD-ROM (can be downloaded from www.endress.com).

5.2 Operation via the display and operating module

5.2.1 Display and operating elements



L00-FMU195xxxx-07-00-00-xx-001

- 1 Softkey symbol
- 2 Key
- 3 LED indicating the operating state
- 4 Display symbols
- 5 Value of the parameter, including unit
- 6 Name of the parameter

Display symbols













Symbol	Meaning
Operating mode of the instrument	
	User User parameters can be edited. Service parameters are locked.
	Diagnosis The service interface is connected.
	Service User and service parameters can be edited.
	Locked All parameters are locked.
Locking state of the currently displayed parameter	
	Display parameter The parameter can not be edited in the current operating mode of the instrument.
	Editable parameter The parameter can be edited.
Scroll symbols	
	Scroll list available Indicates that the list contains more parameters than can be represented on the display. By pressing or repeatedly, all parameters of the list can be accessed.
Navigation in the envelope curve display	
	Move left
	Move right
	Zoom in
	Zoom out

LEDs

LED indicating the operating state (pos. 3 in the figure)	
green	normal measuring mode; no error detected
red (flashing)	Warning: An error is detected but the measurement continues. Reliability of the measured value is no longer ensured.
red	Alarm: An error is detected. The measurement is interrupted. The measured value assumes the value specified by the user (parameter "output on alarm").
off	supply voltage missing

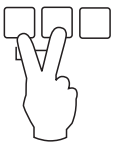
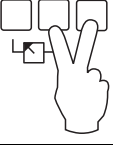

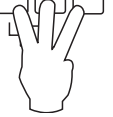
Keys (softkey operation)

The function of the keys depends on the current position within the operating menu (softkey functionality). The key functions are indicated by softkey symbols in the bottom line of the display.

Symbol	Meaning
	Move downwards Moves the marking bar downwards within a selection list.
	Move upwards Moves the marking bar upwards within a selection list.
	Enter <ul style="list-style-type: none"> ■ Opens the marked submenu, the marked parameter set or the marked parameter ■ Confirms the edited parameter value
	Previous parameter set Reopens the previous parameter set within the submenu.
	Next parameter set Opens the next parameter set within the submenu.
	Confirm selection Selects the option of a selection list which is currently marked by the bar.
	Increase value Increases the active digit of an alphanumeric parameter.
	Decrease value Decreases the active digit of an alphanumeric parameter
	Error list Opens the list of all errors which are currently detected. If a warning is present, this symbol flashes. If an alarm is present, the symbol is displayed continuously.
	Change Display Change to the next page of measured values (only available if more than one pages of measured values have been defined; see "display" menu)
	Info Opens the Shortcut Menu, which contains the most important information about the current state of the instrument
	Menu Opens the Main Menu, which contains all parameters of the Prosonic S

General key combinations

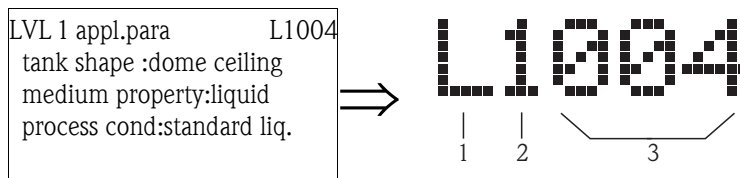
The following key combinations do not depend on the menu position:

Key combination	Meaning
	Escape <ul style="list-style-type: none"> While editing a parameter: Exit the editing mode without accepting the changes. Within the navigation: Move upwards to the previous layer of the menu.
	Increase contrast Increases the contrast of the display module.
	Decrease contrast Decreases the contrast of the display module.
	Locking Locks the instrument against parameter changes. The instrument can only be unlocked again by the keys.

5.2.2 The operating menu

Structure of the menu

The parameters of the Prosonic S are organized in an operating menu (consisting of a main menu and several submenus). Parameters which are related to each other are comprised in a common parameter set. To simplify the navigation within the menu, a five-digit position code is displayed with each parameter set.



Identification of the parameter sets:

- 1 Submenu
- 2 Number of the associated input or output
- 3 Number of the parameter set within the submenus

- The **first digit (1)** specifies the submenu¹⁾:
 - **L**: "level"
 - **A**: "safety settings"
 - **O**: "output/calculations"
 - **D**: "device properties", "calibr. display" and "sensor management"
 - **I**: "system information"
 - **S**: "service" (only available if the service password has been entered)

Diagrams of the submenus can be found in the chapter "Operating menu".

1) Depending on the instrument version, the installation environment and the selected operating mode, some of the submenus may not be present.

- The **second digit (2)** is used if the parameter set occurs several times within the Prosonic S (e.g. for different inputs or outputs).

Example:

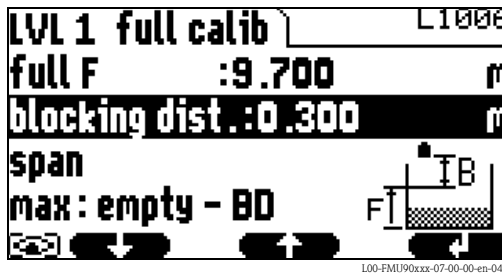
- L1002: level 1
- L2002: level 2
- ...
- L9002: level 9
- LA002: level 10


If the parameter set occurs only once within the Prosonic S, "X" is indicated at this position.

- The **last three digits (3)** specify the individual parameter sets within the submenu.

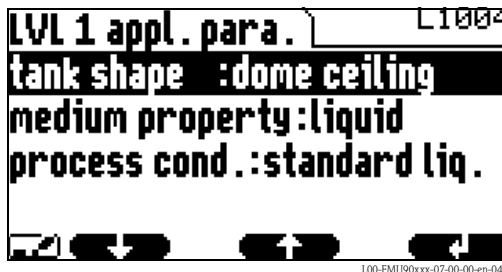
Parameter types



Display parameters



Parameters for which the  symbol is displayed in the left bottom corner of the display module, are either locked or display-only parameters.

Editable parameters

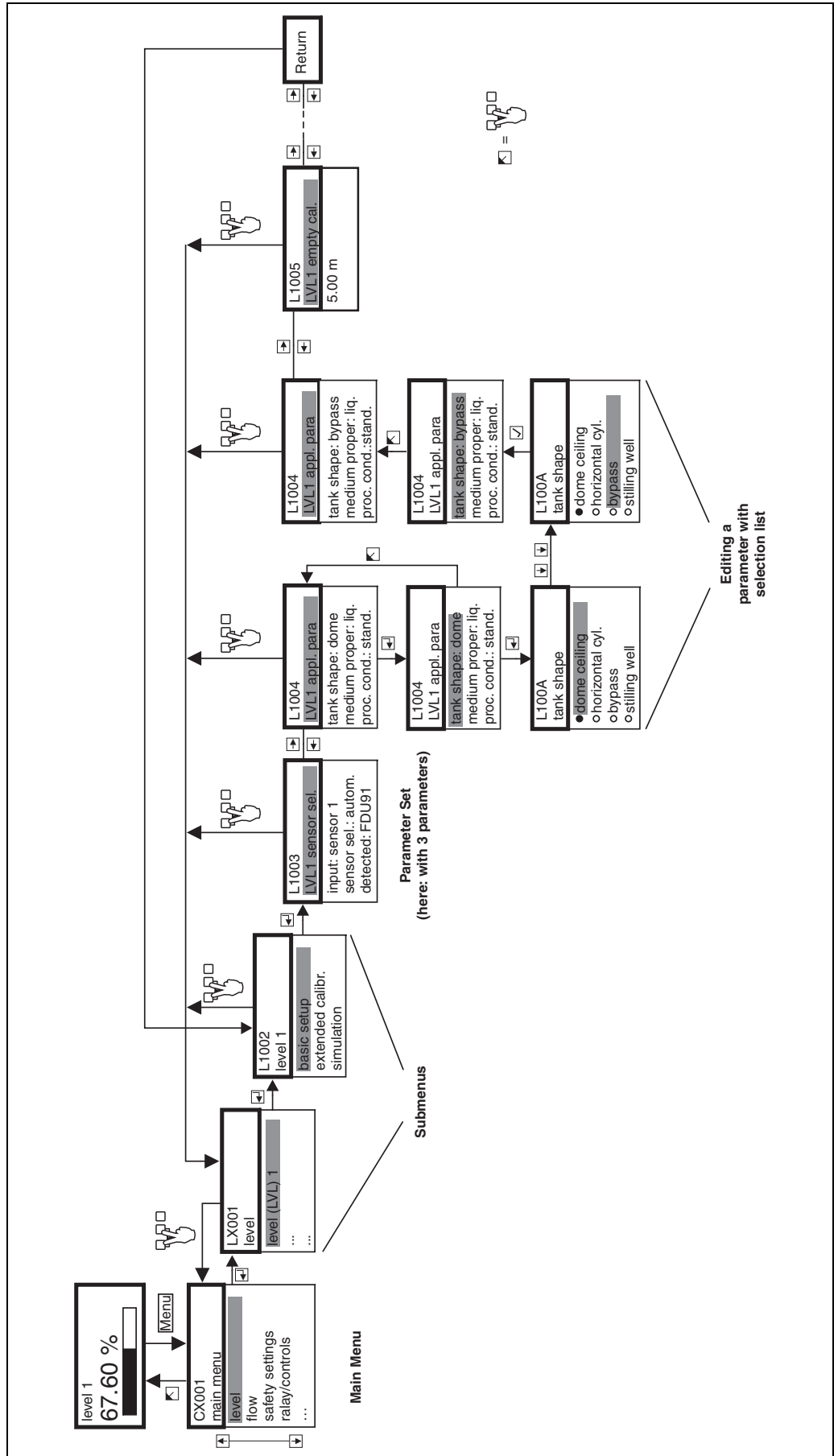


Parameters, for which the  symbol is displayed in the left bottom corner of the display module, can be entered for editing by pressing .

The editing procedure depends on the type of parameter:

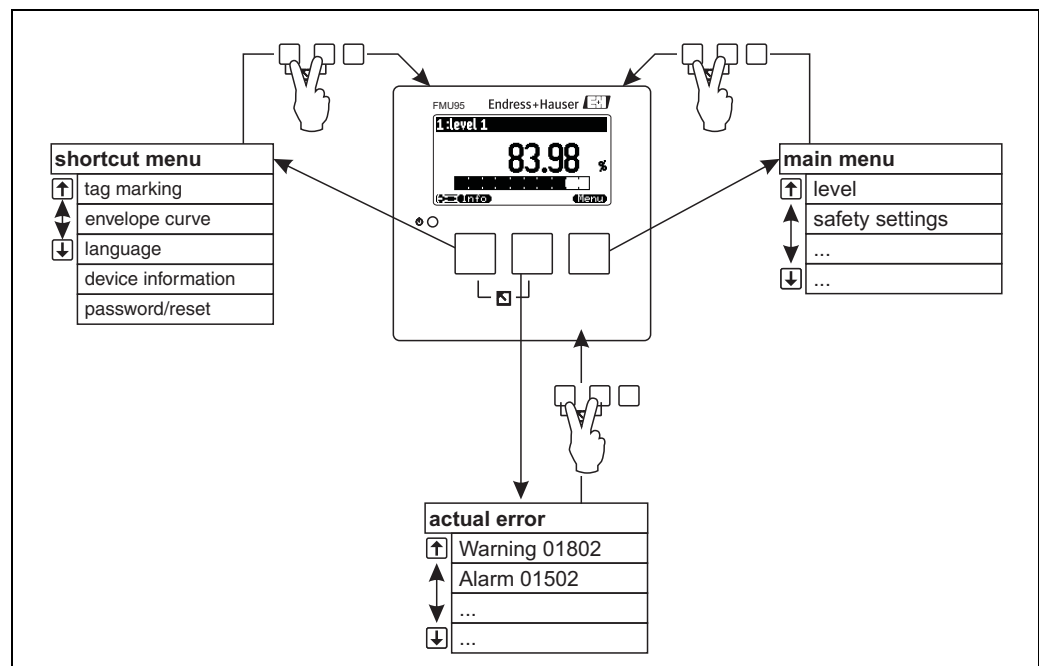
- when entering a **selection parameter**, the associated selection list appears (see below: "Editing a parameter with selection list").
- when entering a **numerical or alphanumeric parameter**, the text and number editor appears (see below: "Entering numbers and characters").

Navigation within the menu (Example)



Entering the menu

The navigation always starts from the main screen (measured value display²⁾). From there, the following menus can be opened by the keys:



L00-FMU95xxxx-19-00-00-es-002

■ shortcut menu

The shortcut menu is accessed via the **"Info"** key. It allows quick access to device information:

- tag marking
- envelope curve: used to check the signal quality
- language: sets the display language
- device information: serial number, versions of software and hardware
- password/reset: used to enter the password or reset code


All parameters of the shortcut menu are contained in the main menu as well.

■ main menu

The main menu is accessed via the **"Menu"** key. It contains all parameters of the Prosonic S. It is divided into submenus. Some of the submenus consist of further submenus. Which submenus are actually present, depends on the instrument version and the installation environment.

An overview of all submenus and parameters is given in the chapter "Operating menu".

■ actual error

If the self-monitoring of the Prosonic S detects an error, the  softkey symbol appears above the middle key.

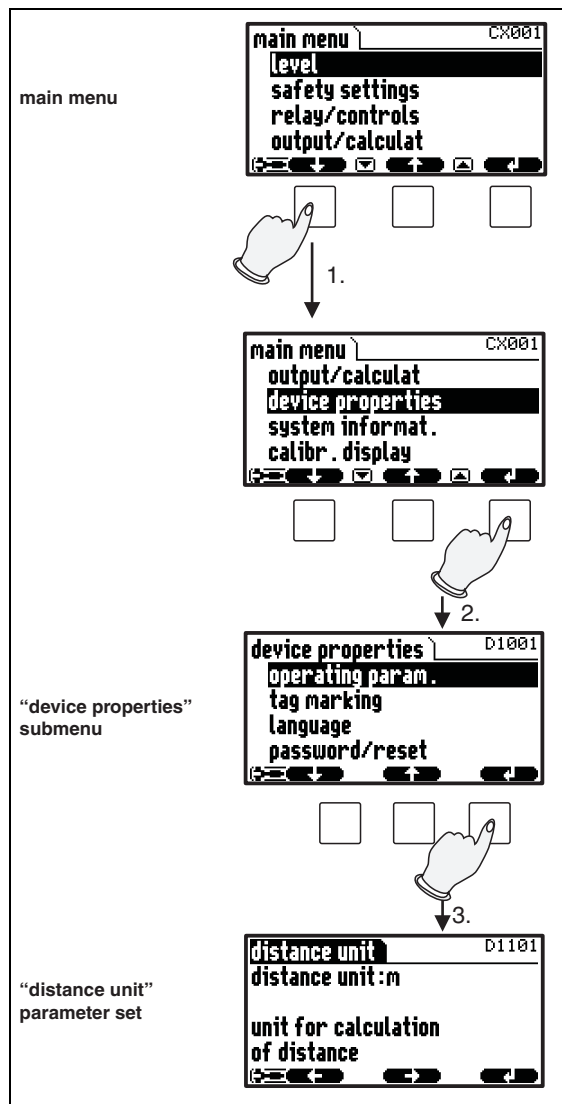
If the softkey symbol flashes, only "warnings" are present.

If the softkey symbol is displayed permanently, at least one "alarm" is present.

After pressing the key, a list of all currently present errors appears.

2) Note: Depending on the configuration, the appearance of the measured value display may be different from the example in the figure.

Selecting a submenu



L00-FMU95xxx-19-00-00-en-005

1. In the main menu press or until the required submenu is marked by the bar.

Note!
The symbols and indicate that the selection list contains more items than can be displayed on the module. Press or several times, to mark one of the hidden items.

2. Press , in order to enter the marked submenu.

3. If the submenu contains further submenus, continue until you reach the level of the parameter sets. This level is reached if the softkey symbols and appear.

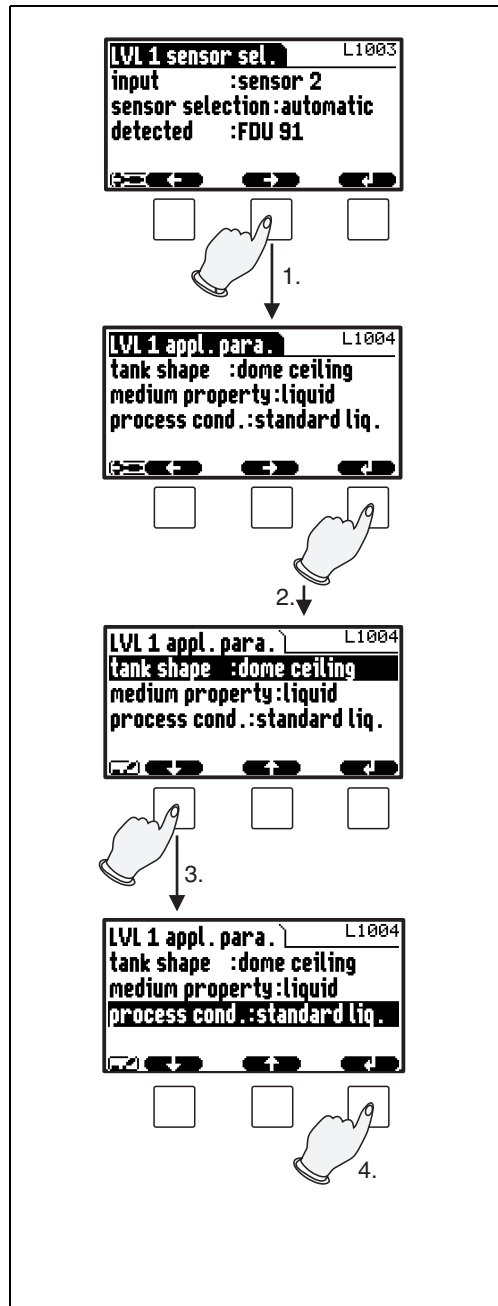


Note!

If necessary, you can return to the previous level of the menu by pressing .

Selecting a parameter

By pressing \leftarrow or \rightarrow you can switch between the parameter sets of the current submenu. For each parameter set the values of all its parameters are displayed. In order to change one of the values, proceed as follows:



1. Press \leftarrow or \rightarrow , until you have reached the required parameter set.
2. Press \downarrow , in order to enter the parameter set.
3. Select the required parameter by pressing \leftarrow or \rightarrow .
(This step is not required if the set contains only one parameter.)
4. Press \downarrow , in order to enter the editing mode of the parameter.
The editing method depends on the type of parameter (selection list, numeric or alphanumeric parameter). For details refer to the following sections.

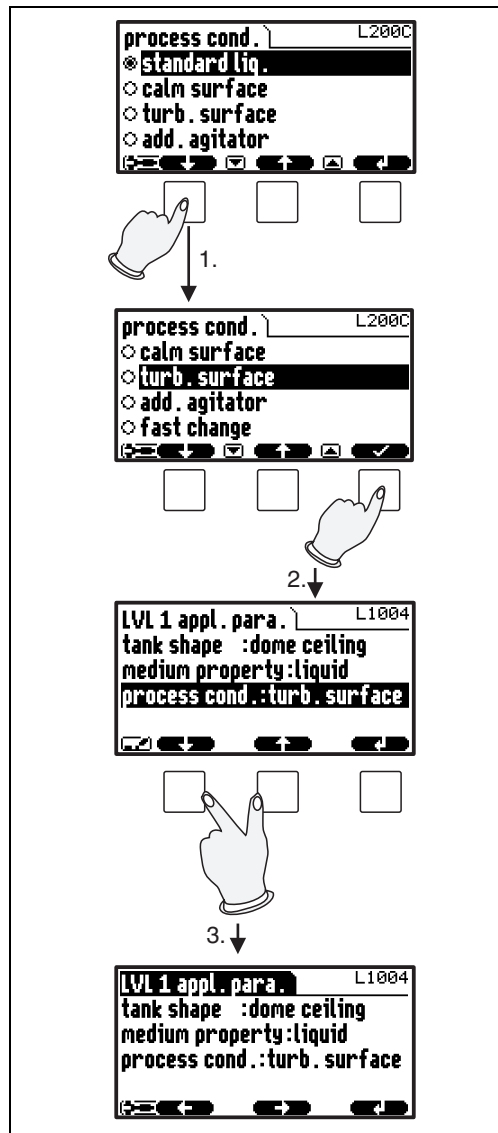
L00-FMU90xxx-19-00-00-en-040



Note!

If necessary, you can exit the parameter and parameter set by pressing  .

Editing a parameter with selection list



1. Press or , until the required option is marked by the bar (in the example: "turb. surface").

Note!

The symbols indicate that the selection list contains more items than can be displayed on the module. Press or several times, to mark one of the hidden items.

2. Press , in order to select the marked option. It is then stored in the instrument.

3. Press the left and middle keys simultaneously in order to quit the parameter.
The software key symbols and reappear and you can switch to the next parameter set.

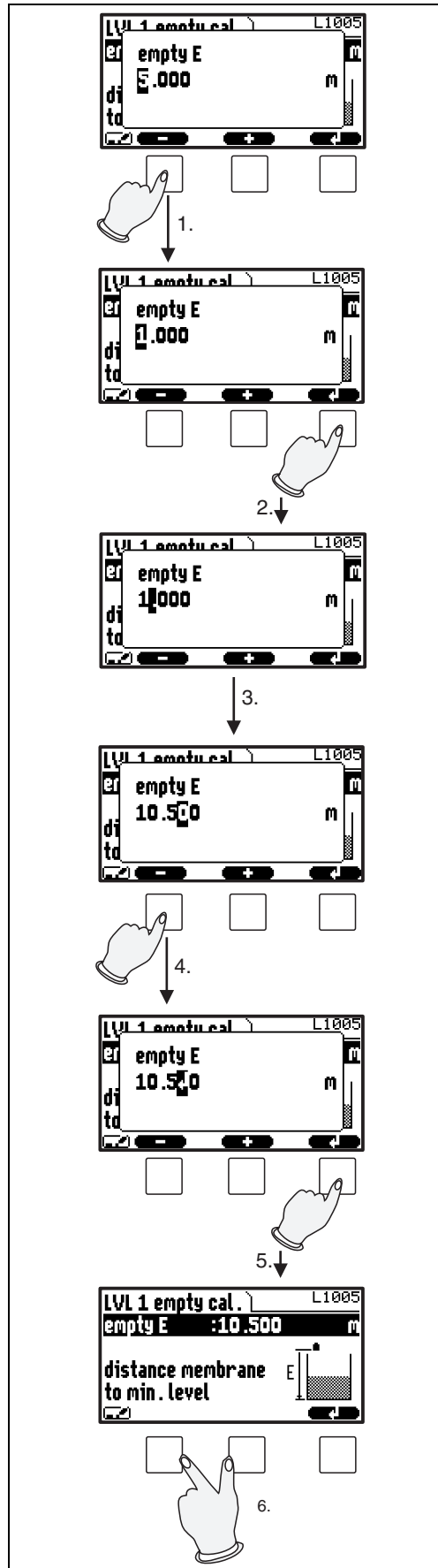


Note!

By pressing before you can quit the parameter without accepting your changes.

L00-FMU90xxx-19-00-00-en-041

Entering numbers and characters



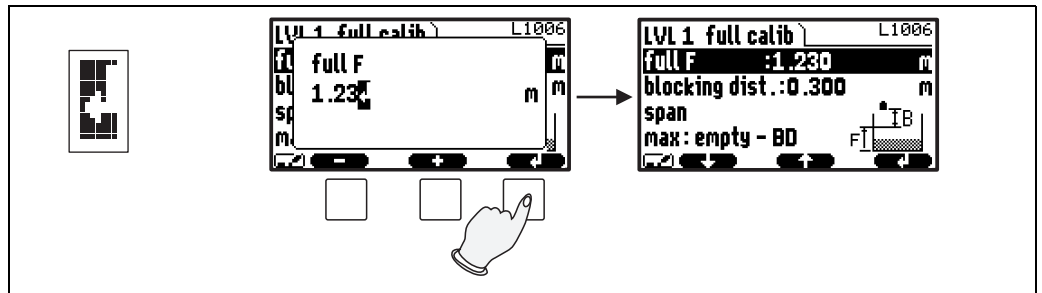
L00-FM190xxx-19-00-00-yy-042

When you select a numeric parameter ("empty calibration", "full calibration" etc.) or an alpha-numeric parameter ("device marking" etc.), the editor for numbers and text strings appears. Enter the desired value in the following way:

1. The cursor is at the first digit. Press \square or \square until this digit has the required value.
2. Press \downarrow in order to confirm the value and to jump to the next digit.
3. Repeat the procedure for all relevant digits.
4. If all relevant digits have been entered: Press \square or \square , until \downarrow appears at the cursor.
5. Press \downarrow to store the complete value in the device.
6. Press the left and middle keys simultaneously in order to quit the parameter.

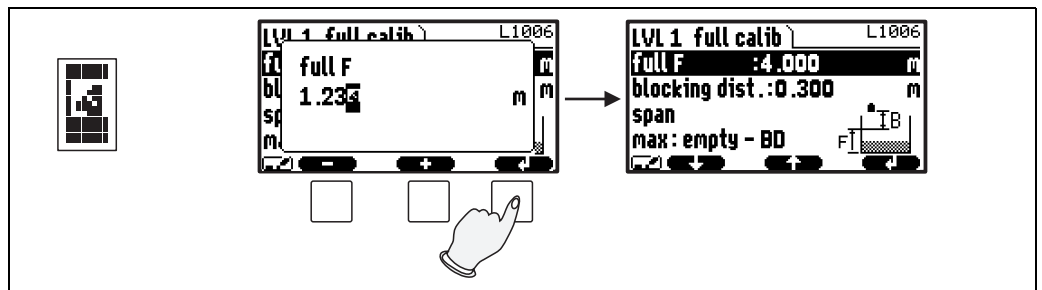
Special editing functions

Within the editor for alphanumeric characters, pressing \square or \oplus does not only lead to numbers and characters but also to the following symbols for special editing functions. They simplify the editing procedure.



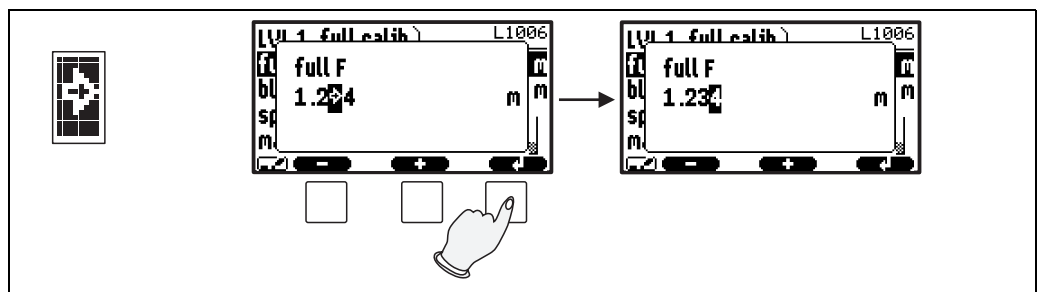
L00-FMU90xxx-19-00-00-yy-045

Enter: The number left of the cursor is transferred to the instrument.



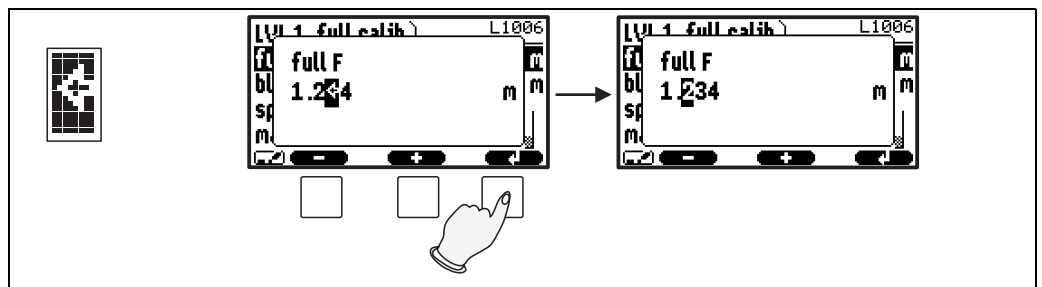
L00-FMU90xxx-19-00-00-yy-044

Escape: The editor is closed. The parameter maintains its former value. The same behavior can be achieved by pressing the left and the middle key simultaneously (\square).



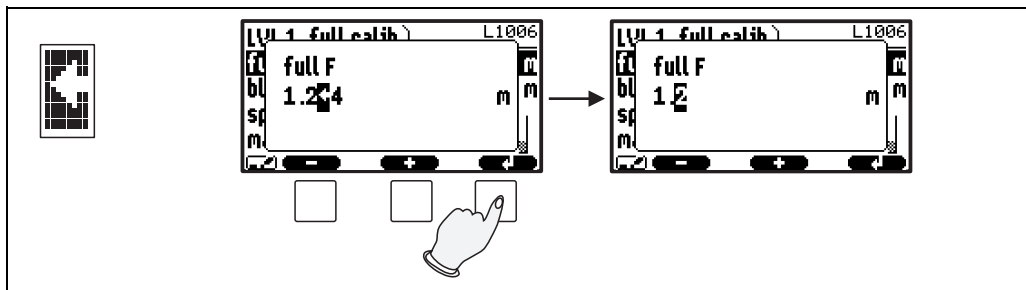
L00-FMU90xxx-19-00-00-yy-045

Next digit: The cursor moves on to the next digit.



L00-FMU90xxx-19-00-00-yy-045

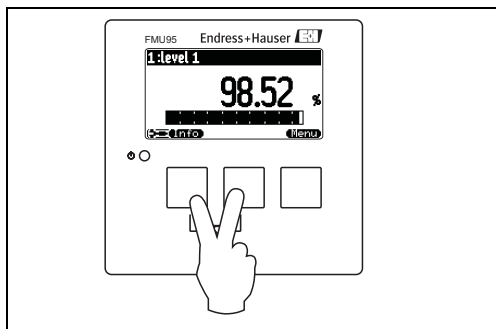
Previous digit: The cursor moves back to the previous digit.



L00-FMU190xxx-19-00-00-yy-047

Delete: The current digit and all digits to its right are deleted.

Return to the measured value display

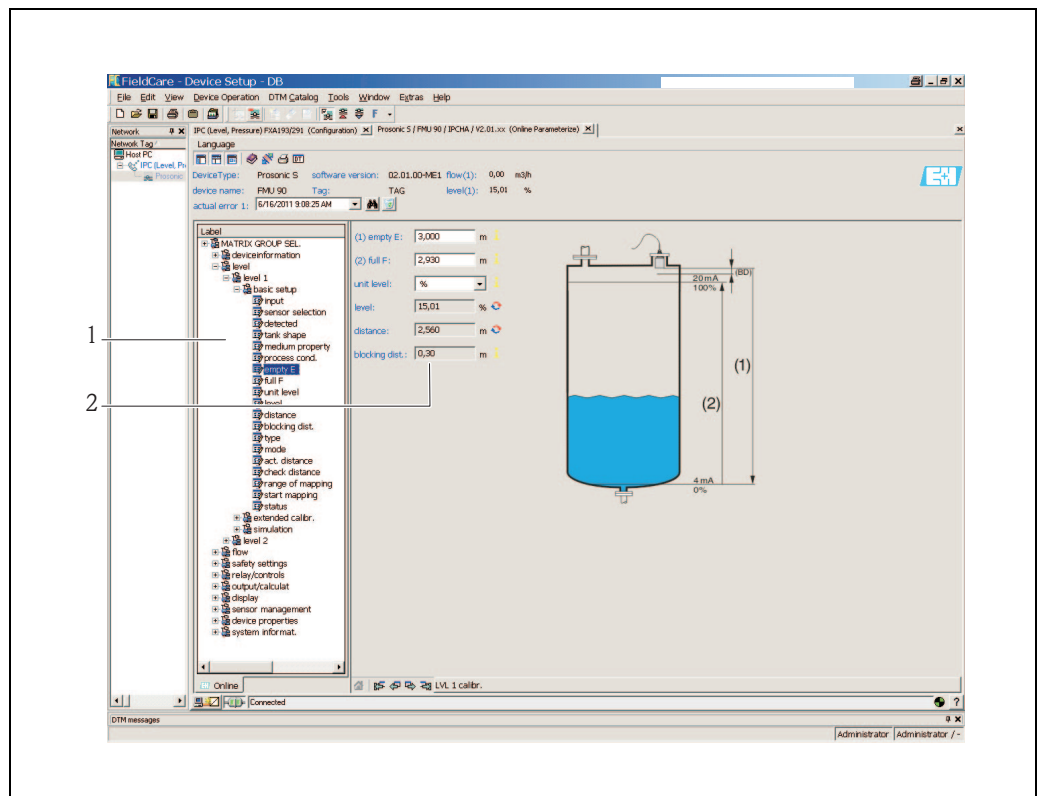


L00-FMU195xxx-19-00-00-en-003

By pressing the left and middle keys simultaneously you can return

- from a parameter to the parameter set
- from the parameter set to the submenu
- from the submenu to the main menu
- from the main menu to the measured value display

5.3 Operation via Endress+Hauser operating tool "FieldCare"



100-FMU90xxx-19-00-00-en-087

Operation via the FieldCare is similar to the operation via the display module.

- The operating menu can be found in the **navigation bar (1)**.
- Input fields for the parameters can be found in the **parameter editor (2)**.
- When you click on a parameter name, the **help pages** appear. They contain a detailed description of the respective parameter.

6 Commissioning



Warning!

For the version with field housing: The instrument may only be operated if the field housing is closed.

This chapter describes the steps of the commissioning procedure:

- 6.1 Preparatory steps
 - 6.1.1 Setting the device address
 - 6.1.2 Bus termination
 - 6.1.3 Loading the device database files (GSD files)
 - 6.1.4 Unlock configuration
 - 6.1.5 Reset to the default configuration
- 6.2 Configuration of the measurement
 - 6.2.1 First setup
 - 6.2.2 Preparing the basic setup
 - 6.2.3 Basic setup
 - 6.2.4 Checking the measuring signal (envelope curve display)
 - 6.2.5 Deactivation of unused sensor inputs
- 6.3 Parametrization of the Analog Input Blocks
- 6.4 Parametrization of the cyclic data telegram
- 6.5 Parametrization of the on-site display

6.1 Preparatory steps

6.1.1 Setting the device address

Selecting the device address

- Every PROFIBUS device must be given an address. If the address is not set correctly, the device will not be recognised by the process control system.
- A device address may appear only once within a particular PROFIBUS network.
- Valid device addresses are in the range between 1 and 126. All devices are delivered from the factory with the address 126, which is set by software.
- The default address can be used to check the function of the device and connect it to an operating PROFIBUS system. Afterwards the address must be changed to allow other devices to be connected to the network.

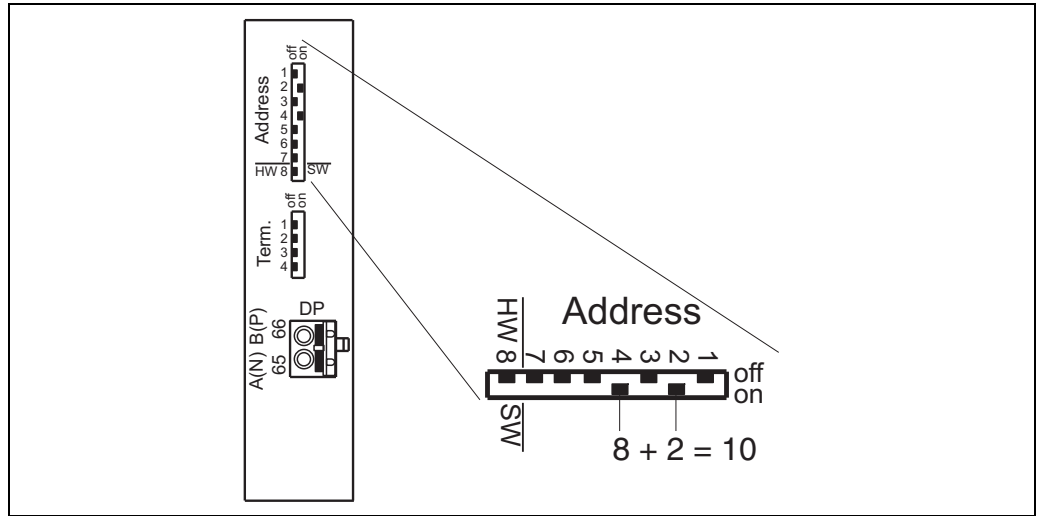
Software addressing

Software addressing comes into operation, when DIP-switch 8 on the PROFIBUS DP terminal area is in the position "ON".

In this case, the address can be set by an operating tool ("FieldCare").

The address is displayed in the function "Output-calculations/PROFIBUS DP/instrument address".

Hardware addressing



L00-FMU90xxx-04-00-00-xx-016

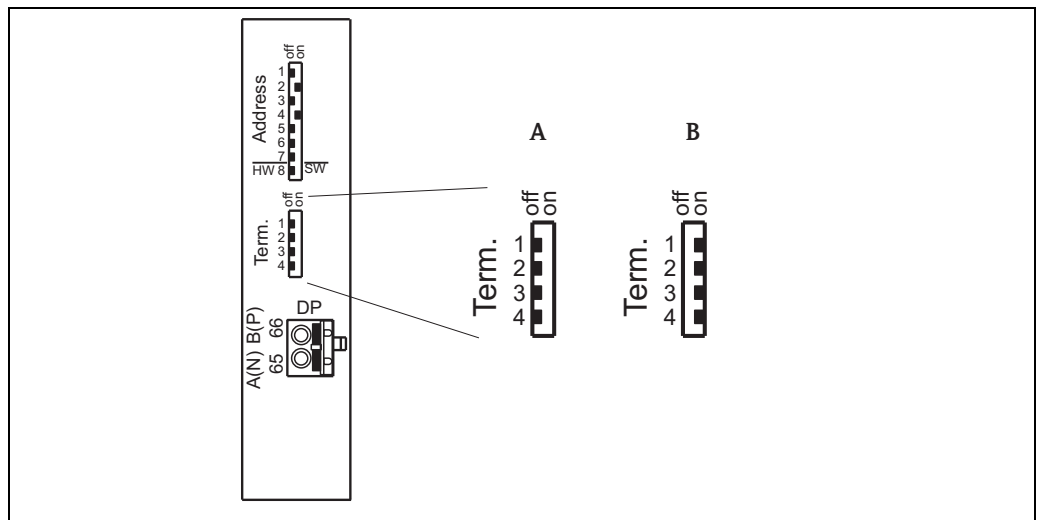
Hardware addressing comes into operation when DIP switch 8 is in the position "HW (OFF)". In this case the address is determined by the position of DIP-switches 1 to 7 according to the following table:

Switch No.	1	2	3	4	5	6	7
Value in position "OFF"	0	0	0	0	0	0	0
Value in Position "ON"	1	2	4	8	16	32	64

The new address becomes valid 10 seconds after switching.

6.1.2 Bus termination

The termination resistor must be activated for the last instrument on the bus. This is done by setting all four termination switches into the "on" position.



L00-FMU90xxx-04-00-00-xx-018

A: termination off (factory setting); **B:** termination on

6.1.3 Loading the device database and type files (GSD)

Meaning of the GSD files

A device database file (GSD) contains a description of the properties of the PROFIBUS device, e.g. the supported transmission rates and the type and format of the digital information output to the PLC. Additional bitmap files are required in order to represent the device by an icon in the network design software. The device database and bitmap files are needed for the commissioning of a PROFIBUS DP network.

Name of the GSD file

Every device is allocated an identity code by the PROFIBUS User Organisation (PNO). This appears in the device data base file name (.gsd).

The FMU95 has the ID number 154E(hex) = 5454 (dec).

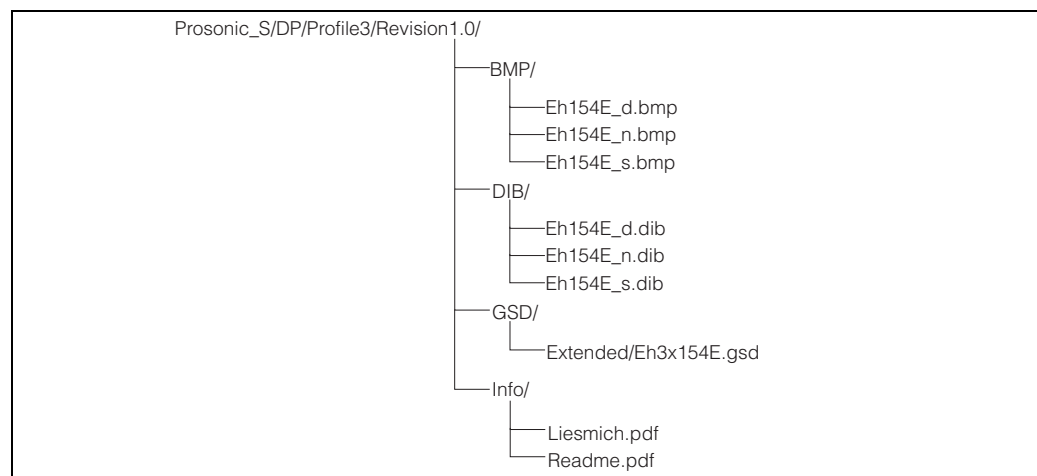
Therefore, the name of the GSD file is: EH3x154E.gsd

Sources of supply

- www.endress.com
click on "Download" and enter "GSD" into the "Text search" field. The "Software" link opens a list containing the links to all available GSD files.
- CD-ROM with GSD files for all Endress+Hauser devices. Order-Code: 50097200
- GSD library of the PROFIBUS User Organisation (PNO):<http://www.PROFIBUS.com>

Directory structure

The files are organized in the following structure:



L00-FMU95xxx-02-00-00-xx-001

Universal Database File

As an alternative to the device specific GSD file, the PNO provides an universal database file without instrument specific features.

When the universal database file is used, the option "**profile**" must be selected in the "**Output-calculation/PrOFIBUS DP/ident number**" parameter.

Usage of the GSD files

The GSD files must be loaded to a specific subdirectory of the PROFIBUS DP configuration software. Depending on the software, the GSD files must be copied into the directory or an import functionality of the software may be used.

Detailed information about the appropriate file location can be obtained from the manual of the respective configuration software.

6.1.4 Unlock configuration

If  appears on the display, the instrument is locked against parameter changes. Before commissioning the instrument must be unlocked.

For the Prosonic S there are three types of locking:

- Software locking
- Locking by key combination
- Hardware locking

Indication of the locking state


The current locking state of the instrument is displayed in the parameter "device properties/password-reset/status". The following states may occur:

- **unlocked**
All parameters (except of service parameters) can be changed.
- **code locked**
The instrument has been locked via the operating menu. It can be unlocked by entering the unlocking code into the "code" parameter.
- **key locked**
The key has been locked by a key combination. It can only be unlocked by pressing all three keys simultaneously.
- **switch locked**
The instrument has been locked by the switch in the terminal compartment. It can only be unlocked by this switch.

Software locking

Locking

Go to the parameter "device properties/passoword-reset/code" and enter a value ≠2457. The instrument is locked against parameter changes.

The  symbol appears on the display.


Unlocking

If you try to change a parameter, the "password-reset" parameter set appears. Select the "code" parameter and enter "2457". Parameters can be changed again.

Locking by key combination

Locking

Press all three keys simultaneously. The instrument is locked against parameter changes.

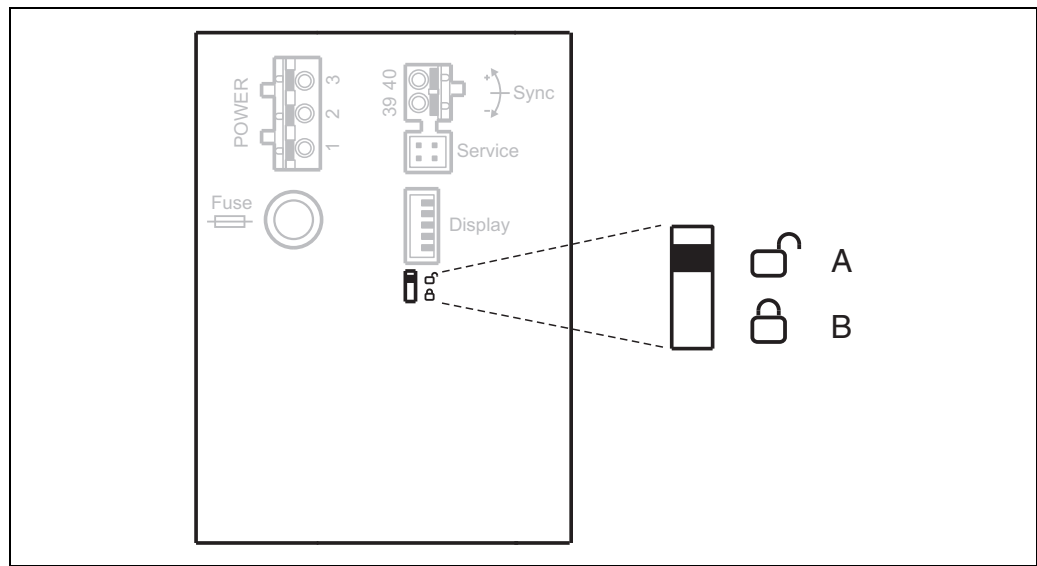
The  symbol appears on the display.

Unlocking


If you try to change a parameter, the "password/reset" parameter set appears. "key locked" is displayed in the "status" parameter. Press all three keys simultaneously. Parameters can be changed again.

Hardware locking

The instrument can be locked against parameter changes by the locking switch in the terminal compartment of the Prosonic S.



Switch position **A**: unlocked; parameters can be changed
 Switch position **B**: locked; parameters can not be changed.

If the switch is in position B,  appears on the display and parameters can not be changed. The instrument can only be unlocked by the switch.

6.1.5 Reset to the default configuration



Caution!

A reset may lead to impairment of the measurement. As a rule, a basic calibration is required after a reset.

Application of the Reset


It is advisable to reset the customer parameters if you want to use a device with an unknown history.

Effects of the Reset

- All parameters are reset to their default values.
- The linearisation type is switched to "none". If a linearisation table is present, it is not deleted. If required, it can be reactivated at a later point of time.
- An interference echo curve is set "inactive". However, the curve is not deleted and can be reactivated at a later point of time.



Note!

In the menu diagrams (→ , "Operating menu") the default values of the parameters are printed in bold.

Performing a Reset

In order to perform a reset, enter "33333" into the parameter "device properties/password-reset/reset".

5-point linearity protocol



Note!

The specified measuring accuracy is a typical value → 94, "Performance characteristics". With the production of the 5-point linearity protocol the measuring system (FDU9x sensor and FMU9x transmitter electronic) is adjusted exactly to one another and the measuring accuracy is optimized for the specified range.

To realize this, the parameter "zero distance" is fine adjusted. After a reset the value for the zero distance has to be re-parameterized in the service menu according to the data on the associated 5-point linearity protocol for the FDU9x sensor. Please contact the Endress+Hauser service.

6.2 Configuration of the measurement

6.2.1 First setup

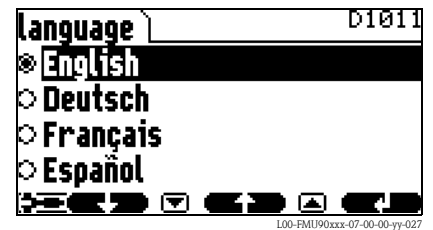


Note!

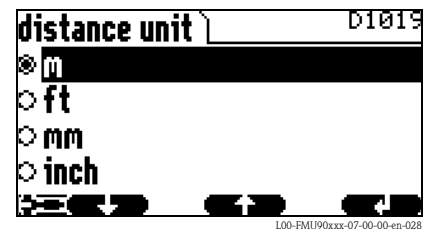
This chapter describes the commissioning of the Prosonic S via the display and operating module. Commissioning via FieldCare is similar. For further instructions refer the FieldCare Online Help.

After switching on the power supply for the first time, the instrument asks for a number of operating parameters:

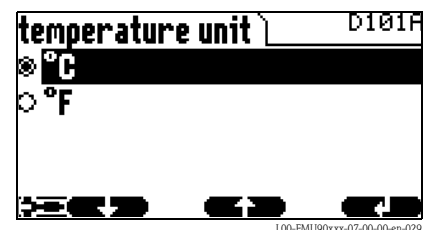
1. Select the display language.
 - a. Press ↓ or ↑ to move the marking bar to the desired language.
 - b. Press ↵ to confirm your selection.




2. Select the unit for distance measurements.



3. Select the temperature unit.




Note!

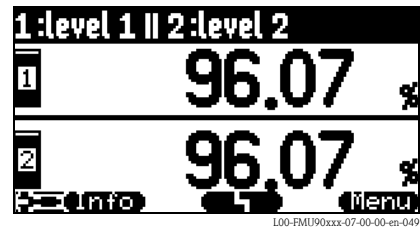
By pressing  **you can return to the previous parameter** (e.g. in order to correct the value). All these parameters can also be changed at a later point of time in the "device properties/operating parameters" and "device properties/language" parameter sets.

6.2.2 Preparing the basic setup

1. After the first setup the main screen appears. However, the displayed value does not correspond to the real level before you have performed the basic setup. To do so, enter the main menu by pressing "Menu" (right key).

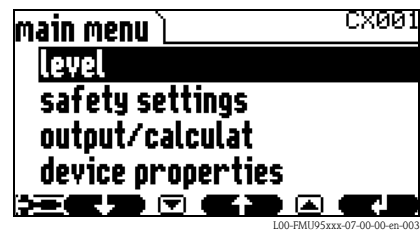
 Note!

In the "calibr. display" menu you can adjust the display to your requirements (displayed values, display format). The figure shows an example for a 2-channel instrument.

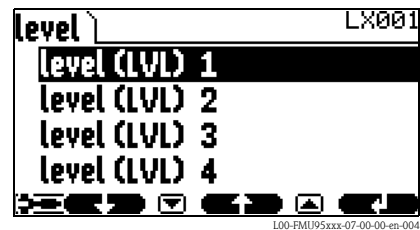


2. Select the "level" submenu.

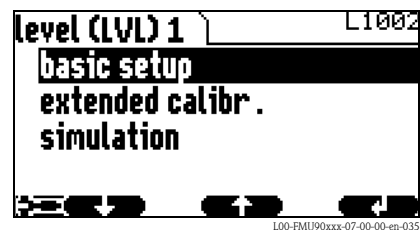
- Select by ↓ and ↑
- Confirm by ↵



3. In the following submenu select the level channel you are going to calibrate.



4. In the following submenu select "basic setup". This submenu contains all parameters needed for the basic setup.




6.2.3 Basic setup

Overview


The following table gives an overview of the basic setup for level measurements. Detailed information on the parameters can be found in the sections 6.3.2. to 6.3.11.

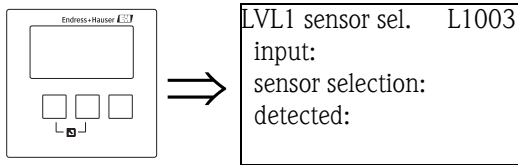
Step	Parameter Set	Parameter	Remarks	page
Configuring the sensor				
1	LVL N sensor selection (N = 1 - 10)	input	Allocate a sensor to the channel.	53
		sensor selection	Specify the type of sensor ("automatic" for FDU9x)	
		detected	only available for "sensor selection" = "automatic"; indicates the detected type of sensor.	
2	LVL N application parameter (N = 1 - 10)	tank shape	Select the appropriate values for your application	54
		medium property		
		process conditions		
3	LVL N empty calibration (N = 1 - N)	empty E	Specify the distance between the sensor membrane and the minimum level (0%).	56
4	LVL N full calibration (N = 1 - 10)	full F	Specify the distance between the minimum (0%) and maximum (100%) level.	57
		blocking distance (BD)	Display parameter; the maximum value for the full calibration is: $F_{\max} = E - BD$	
5	LVL N unit (N = 1 - 10)	unit level	Select the unit for the level measurement.	58
		level N (N = 1 - 10)	Displays the currently measured level.	
		sensor	Displays the currently measured distance between the sensor membrane and the product level.	
Linearisation (if no linearisation is required: continue by step 7: "distance correction")				
6	LVL N linearisation (N = 1 - 10)	type	Select type of linearisation	59
		mode	Specify, to which value the measurement refers: "level" or "ullage"	
		customer unit	Specify the unit for the linearized value; (not available for "type" = "none")	
		max. scale	Specify the maximum contents of the vessel (in customer units); (not available for "type" = "none")	
		diameter	Specify the diameter of the tank; (only available for "type" = "horizontal cylinder" or "sphere")	
		intermediate height	Specify the intermediate height of the tank or silo; (only available for "type" = "pyramid bottom", "conical bottom" oder "angled bottom")	
		edit	Used to enter, change or delete a linearisation table; (only available for "type" = "table")	
		status table	Enables or disables the linearisation table; (only available for "type" = "table")	

Step	Parameter Set	Parameter	Remarks	page
Interference echo suppression				
7	lvl N check value (N = 1 - 10)	act. distance N (N = 1 - 10)	Indicates the currently measured distance between the sensor membrane and the product surface.	65
		check distance	Compare the indicated distance with the real value: <ul style="list-style-type: none"> ■ "distance = ok" → "distance mapping" (see below) ■ "distance too small" → "distance mapping" (see below) ■ "distance too big" → Basic setup completed ■ "distance unknown" → Basic setup completed ■ "manual" → "distance mapping" (see below) 	
8	LVL N dist. map. (N = 1 - 10)	act. distance N (N = 1 - 10)	Indicates the currently measured distance between the sensor membrane and the product surface.	66
		range of mapping	Determines the range over which the mapping is recorded; confirm the predefined value or enter your own value.	
		start mapping	Select: <ul style="list-style-type: none"> ■ no: the mapping is not recorded ■ yes: the mapping is recorded; after completion the "LVL N state" function appears (see below) 	
9	LVL N state (N = 1 - 10)	level N (N = 1 - 10)	Indicates the currently measured level.	67
		act. distance	Indicates the currently measured distance between the sensor membrane and the product surface. Check the value: <ul style="list-style-type: none"> ■ Value correct: → Basic setup completed. Return to the measured value display by pressing  several times ■ Value not incorrect: → go back to step 7 ("distance correction") 	
		status	Used to enable, disable or delete a mapping	



Hinweis!

In order to optimize the cycle time of the measured value update, it is recommended to deactivate unused measuring channels in the "sensor management" menu →  67.

"LVL N sensor selection" (N = 1 - 10)**"input"**

Use this parameter to assign a sensor to the channel.

Selection:

- no sensor
- sensor 1
- ...
- sensor 10

"sensor selection"

Use this parameter to specify the type of the connected ultrasonic sensor.

**Note!**

- For the sensors **FDU9x** the option "automatic" is recommended (default setting). With this setting the Prosonic S recognizes the type of sensor automatically.
- For the sensors **FDU8x** the type has to be assigned explicitly. The automatic sensor recognition does not work for these sensors.

**Caution!**

After **exchanging a sensor**, observe the following:

The automatic sensor recognition is also active after a sensor has been exchanged³⁾. The Prosonic S recognizes the type of the new sensor automatically and changes the "detected" parameter if required. The measurement continues without a break.

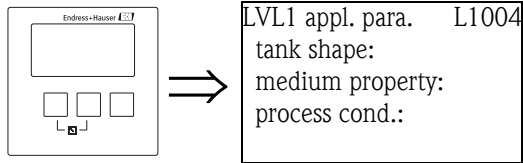
Nevertheless, in order to ensure perfect measurement, the following checks are required:

- Check the **"empty calibration"** and **"full calibration"** parameters. Adjust these values if required. Take into account the blocking distance of the new sensor.
- Go to the **"LVL N check value"** parameter set (last set of the basic setup) and check the displayed distance. If required, perform a new interference echo suppression.

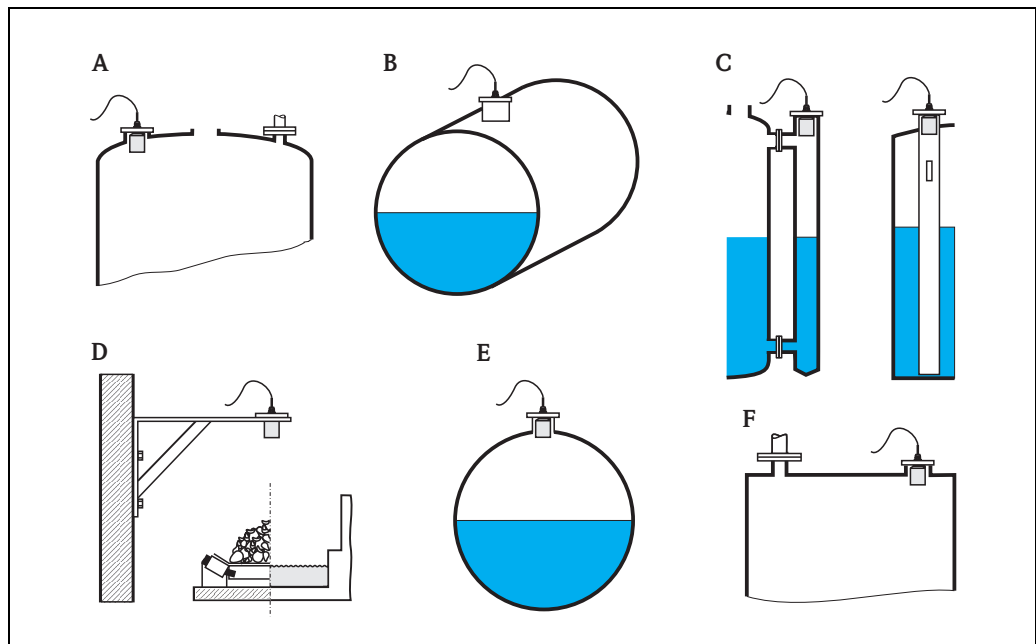
"detected" (only available for "sensor selection" = "automatic")

Indicates the type of the automatically detected sensor.

3) if the new sensor is of the type FDU9x

"LVL N application parameters" (N = 1 - 10)**"tank shape"**

Use this parameter to specify the tank shape of your application.

Selection:

- A** Dome ceiling
B Horizontal cyl.
C Bypass, stilling well/ultrasonic guide pipe
D No ceiling, e.g. dumps, open levels, chanel, weirs
E Sphere
F Flat ceiling

"medium property"

Use this parameter to specify the type of medium.

Selection:

- liquid
- paste like
- solid < 4 mm
- solid > 4 mm
- unknown


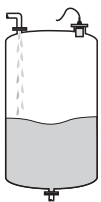
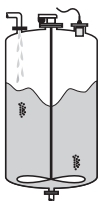
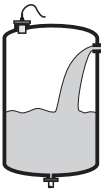


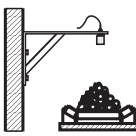


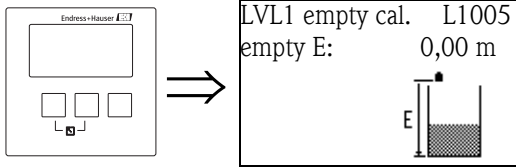
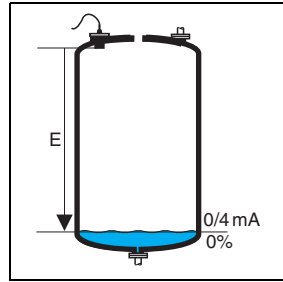
Note!

If the medium does not fit into one of the groups, select "unknown".

"process conditions"

Use this parameter to specify the process conditions of your application. The filters of the signal evaluation are automatically adjusted to the selected conditions.


"process conditions"	for the following situations	Example	filter settings
standard liquid	for all fluid applications which do not fit in any of the following groups		The filters and output damping are set to average values.
calm surface	Storage tanks with immersion tube or bottom filling		The averaging filters and output damping are set to large values. -> stable measured value -> accurate measurement -> slow reaction time
turbulent surface	Storage/accumulation tanks with uneven surface due to free filling, mixing nozzles or small bottom stirrers		Special filters for stabilizing the input signal are activated. -> stable measured value -> medium reaction time
additional agitator	Moving surfaces (possibly with vortex formation) due to agitators		Special filters for stabilizing the input signal are set to large values. -> stable measured value -> medium reaction time
fast change	Rapid level change, particularly in small tanks		The averaging filters are set to small values. -> rapid reaction time -> possibly unstable measured value
standard solid	For all bulk solid applications which do not fit in any of the following groups.		The filter and output damping are set to average values.
solid dusty	Dusty bulk solids		The averaging filters are set to detect even relatively weak signals.
conveyor belt	Bulk solids with rapid level change		The averaging filters are set to small values. -> rapid reaction time -> possibly unstable measured value
test: no filter	For service and diagnosis only		All filters are switched off

"LVL N empty calibration" (N = 1 - 10)**"empty E"**

L00-FM190xxx-19-00-00-yy-007

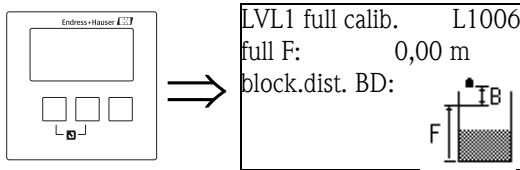
Use this parameter to specify the empty distance E, i.e. the distance between the sensor membrane (reference point of the measurement) and the minimum level (zero point).

- Default: max. measuring range of the respective sensor
- Range of values: depending on sensor type

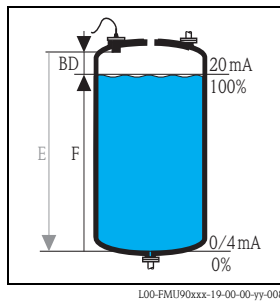
 **Caution!**

The zero point should not be deeper than the point at which the ultrasonic wave impinges on the tank bottom

"LVL N full calibration" (N = 1 - 10)



"full F"



Use this parameter to specify the span F, i.e. the distance from the minimum level to the maximum level.

- Default setting: depending on sensor type
- Range of values: depending on sensor type
- blocking distance BD: depending on sensor type (see table)

Caution!
The maximum level may not project into the blocking distance:

$$F_{\max} = E - BD$$

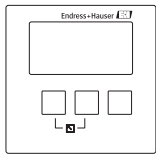
"blocking distance"

Indicates the blocking distance of the respective sensor. The blocking distance is measured from the sensor membrane (reference point of the measurement).

Type of sensor	Blocking distance (BD)	Maximum measuring distance ¹⁾
FDU90	0.07 (0.2)	3.0 (9.8) (for liquids)
FDU91/FDU91F	0.3 (1.0)	10 (33) (for liquids)
FDU92	0.4 (1.3)	20 (66) (for liquids)
FDU93	0.6 (2.0)	25 (82) (for liquids)
FDU95 - *1*** (low temperature version)	0.7 (2.3)	45 (148) (for solids)
FDU95 - *2*** (high temperature version)	0.9 (3.0)	45 (148) (for solids)
FDU96	1.6 (5.2)	70 (230) (for solids)
FDU80/FDU80F	0.3 (1.0)	5 (16) (for liquids)
FDU81/81F	0.5 (1.6)	10 (33) (for liquids)
FDU82	0.8 (2.6)	20 (66) (for liquids)
FDU83	1.0 (3.3)	25 (82) (for liquids)
FDU84	0.8 (2.6)	25 (82) (for solids)
FDU85	0.8 (2.6)	45 (148) (for solids)
FDU86	1.6 (5.2)	70 (230) (for solids)

m (ft)

1) valid for optimum process conditions

"LVL N unit" (N = 1 to 10)

LVL 1 unit level L1007
 unit level:
 level 1:
 sensor:

"unit level"

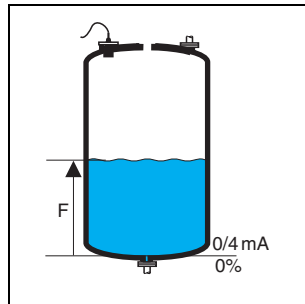
Use this parameter to select the distance unit.
 If no linearization is performed, the level is displayed in this unit.

Selection:

- m
- ft
- inch
- mm
- % **(Default)**

"level N" (N = 1 - 10)

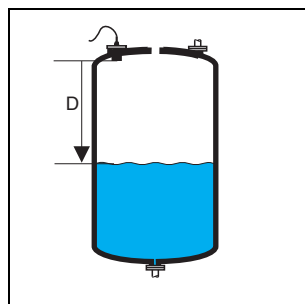
Displays the currently measured level F (from the zero point to the product surface) in the selected unit.



L00-FMU90xxx-19-00-00-yy-021

"sensor"

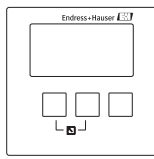
Displays the currently measured distance D (from the sensor membrane (reference point of the measurement) to the product surface) in the distance unit. If the display value does not match the real distance, an interference echo suppression must be performed prior to linearization.



L00-FMU90xxx-19-00-00-yy-022

**Note!**

The distance unit is defined during the first setup of the instrument. If required, it can be changed in the "device properties/operating params" menu.

"LVL N linearisation" (N = 1 - 10)

```
LVL 1 linearisat. L1008
type:
mode:
```

**Note!**

Number and type of the parameters in this set depend on the selected linearization type.
Only the parameters "type" and "mode" are always present.

The "linearization" is used to convert the level into other quantities. Especially, it can calculate the volume or mass within a vessel of arbitrary shape. The Prosonic S provides different linearization modes for the most common types of vessels. Additionally, a linearization table for arbitrarily shaped vessels can be entered.

"type"

Use this parameter to select the type of linearisation.

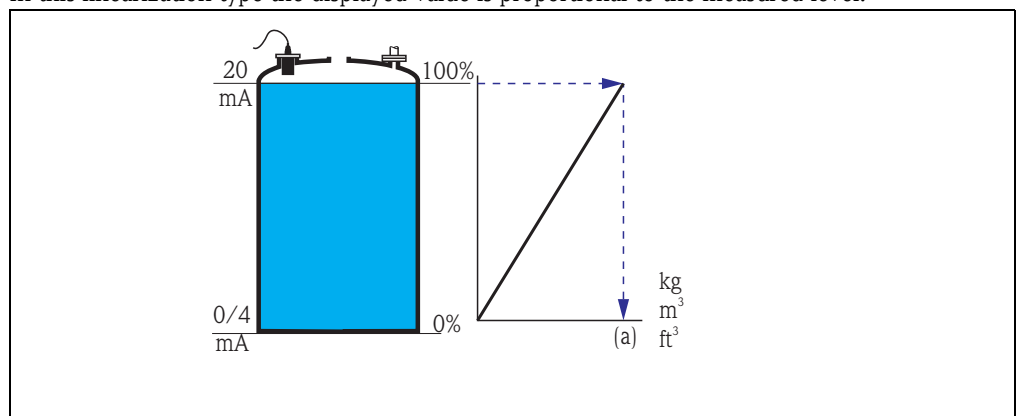
Selection:

- **none**

In this linearization type the measured level is not converted but displayed in the selected level unit (see above, "unit level").

- **linear**

In this linearization type the displayed value is proportional to the measured level.

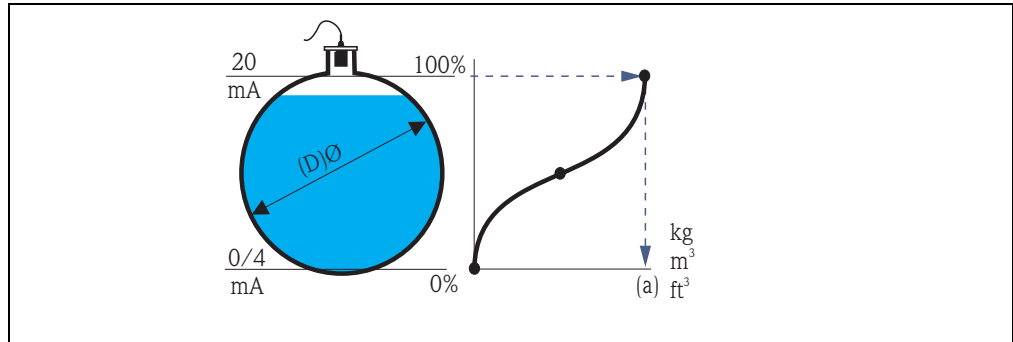


The following additional parameter have to be specified:

- the unit for the linearized value, e.g. kg, m³, ft³, ... ("**customer unit**")
- the maximum capacity (a) of the vessel, measured in the customer unit ("**maximum scale**").

- horizontal cylinder⁴⁾
- sphere

In these linearization types the measured level is converted to the volume in a horizontal cylinder or a spherical tank.

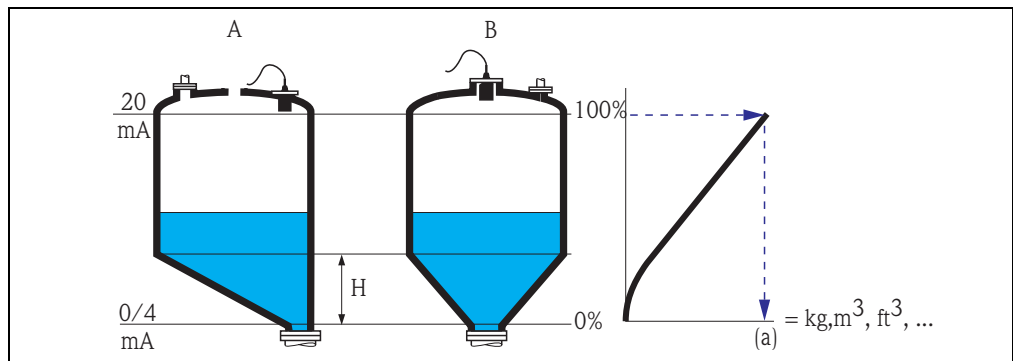


The following additional parameters have to be specified:

- the unit of the linearized value, e.g. kg , m^3 , ft^3 , ... ("**customer unit**")
- the diameter (D) of the tank ("**diameter**")
- the maximum capacity (a) of the tank, measured in the customer unit ("**maximum scale**").

- angled bottom (A)
- pyramid bottom (B)
- conical bottom (B)

In these linearisation modes the measured level is converted to the volume in the respective type of vessel.



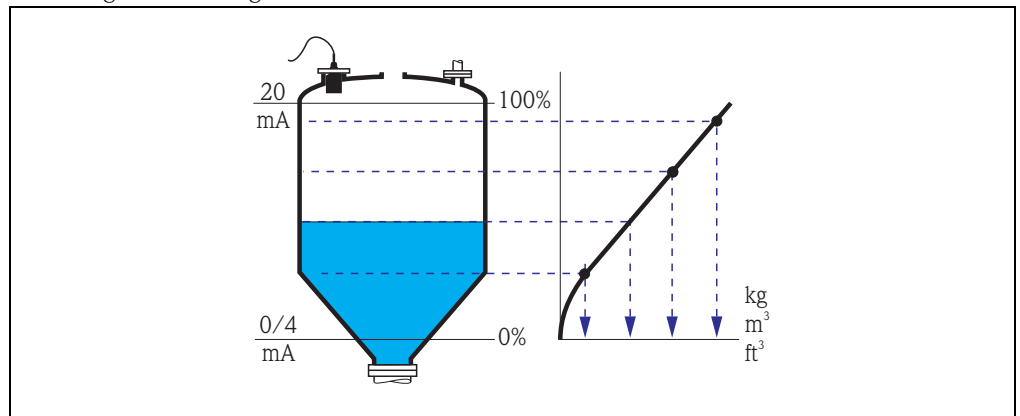
The following additional parameters have to be specified:

- the unit for the linearized value, e.g. kg , m^3 , ft^3 , ... ("**customer unit**")
- the intermediate height H according to the diagram ("**intermediate height**")
- the maximum capacity (a) of the tank, measured in the customer unit ("**maximum scale**").

4) This option is only valid for horizontal cylinders without bumped ends. For tanks with bumped ends, a linearization table can be calculated and stored in the instrument with the FieldCare operating program.

■ table

In this linearization mode the measured value is calculated from a linearization table. The table may consist of up to 32 pairs of values (level - volume). The table must be monotonically increasing or decreasing.



The following additional parameters have to be specified:

- the unit of the linearized value, e.g. kg, m³, ft³, ... ("**customer unit**")
- the linearization table ("**edit**")

"customer unit"

Use this parameter to select the desired unit for the linearized values (e.g. kg, m³, ft³, ...). This unit is only indicated on the display. It does not cause a conversion of the measured value.



Note!

After selecting the option "customer specific", the parameter "customized text" appears. An arbitrary string (consisting of up to 5 alphanumeric characters) can be entered into this parameter.

"maximum scale"

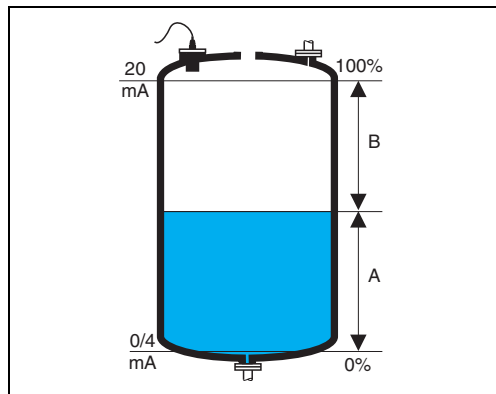
Use this parameter to specify the maximum content of the vessel in the customer unit.

"diameter"

Use this parameter to specify the diameter of the horizontal cylinder or the spherical tank respectively.

"intermediate height"

Use this parameter to specify the intermediate height of the vessel.

"mode"

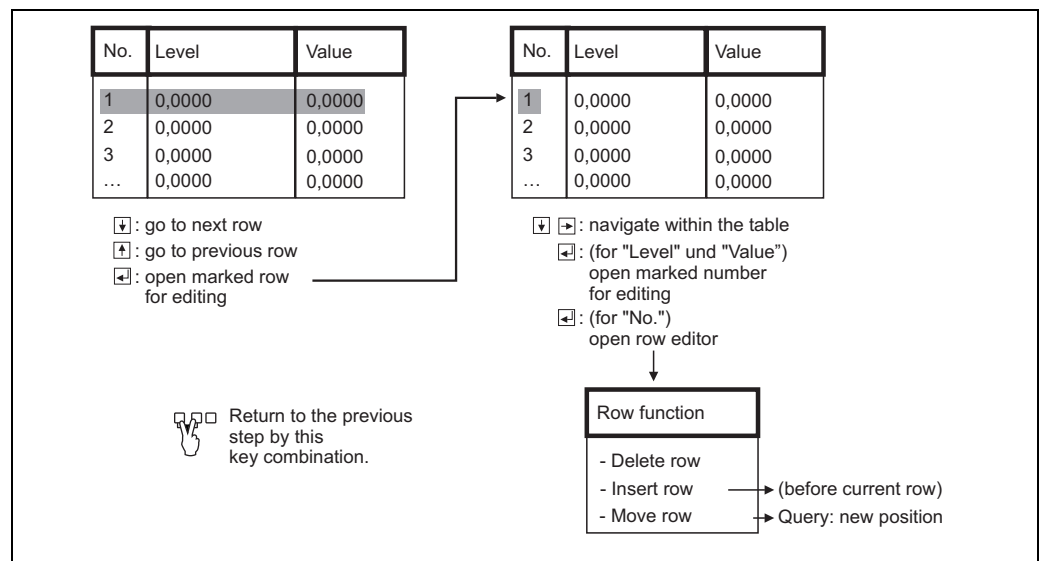
Use this parameter to specify if the measurement refers to the **"level"** (A) or to the **"ullage"** (B).

"edit"

Use this parameter to enter, change or read a linearization table. There are the following options:

- **read:**
The table editor is opened. The existing table can be read but not changed.
- **manual:**
The table editor is opened. Table values can be entered and changed.
- **semi-automatic:**
The table editor is opened. The level is automatically read by the Prosonic S. The measured value (volume, weight or flow) must be entered by the user.
- **delete:**
The linearization table is deleted.

The table editor



L00-FMU90xxx-19-00-00-de-006

"status table"

Use this parameter to enable or disable the linearization table.

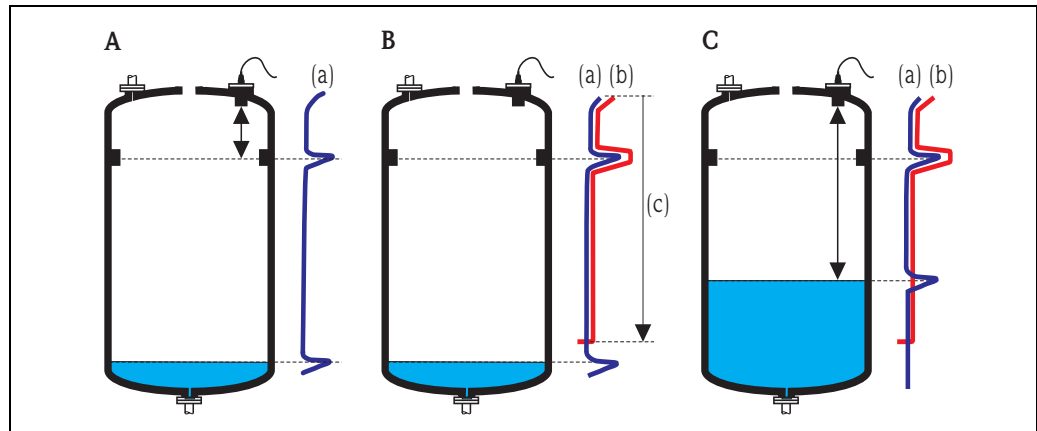
Selection:

- **enabled**
The table is used.
- **disabled**
The table is **not** used. The measured values is transferred to the output without linearization.

Interference echo suppression: Basic principles

The "**check value**" and "**distance mapping**" parameters are used to configure the interference echo suppression of the Prosonic S.

The following picture shows the operating principle of the interference echo suppression:



A: The envelope curve (a) contains the level echo and an interference echo. Without interference echo suppression, the interference echo is evaluated.

B: The interference echo suppression generates the mapping curve (b). This curve suppresses all echos within the range of mapping (c).

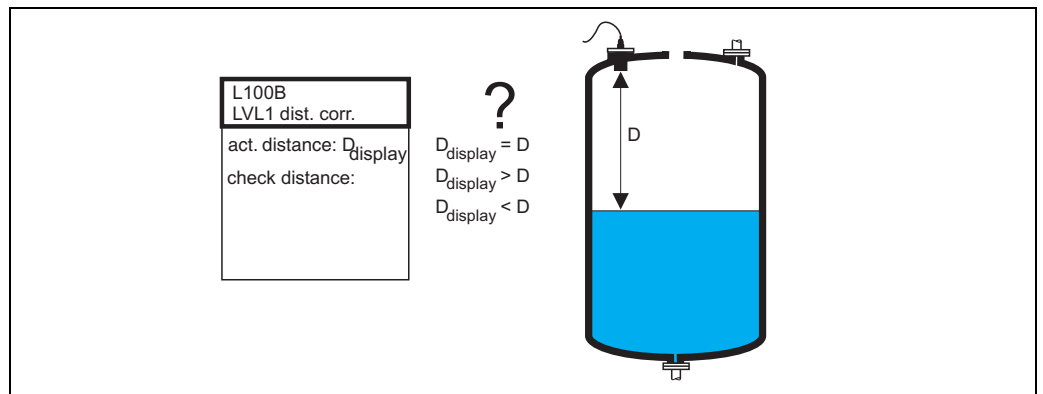
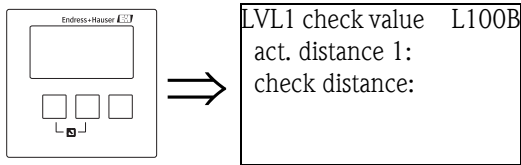
C: From now on, only those echos are evaluated, which are higher than the mapping curve. The interference echo is below the mapping curve and is therefore ignored.



Note!

In order to include all interference echos, the interference echo suppression should be performed with the level as low as possible. If during commissioning the vessel can not be sufficiently emptied, it is advisable to repeat the interference echo suppression at a later point of time (as soon as the level reaches nearly 0%).

"LVL N check value" (N = 1 - 10)



"actual distance N" (N = 1 - 10)

Displays the currently measured distance D_{display} .

"check distance"

Use this parameter to state if the displayed distance D_{display} matches the real distance D (measured by a rule for example). Based on your selection, the Prosonic S automatically proposes a suitable range of mapping.

You have got the following options:

■ distance = ok

Choose this option if the displayed value D_{display} matches the real distance D .

After selecting this option, the Prosonic S changes to the "**distance mapping**" parameter set.

The preset range of mapping is identical to D . That means: all interference echos above the current product surface will be suppressed by the mapping curve.

■ distance too small

Choose this option if the displayed value D_{display} is smaller than the real distance D .

In this case the currently evaluated echo is an interference echo.

After selecting this option, the Prosonic S changes to the "**distance mapping**" parameter set.

The preset range of mapping is slightly larger than D_{display} . Therefore, the currently evaluated interference echo is suppressed by the mapping curve.

If after the mapping D_{display} still is too small, repeat the mapping until D_{display} matches the real distance D .

■ distance too big

Choose this option if the displayed value D_{display} exceeds the real distance D .

This error is not caused by interference echos. Therefore, no interference echo suppression is performed and the Prosonic S returns to the "level 1(2)" submenu. Check the calibration parameters, especially the "**empty calibration**" and the "**application parameters**".

■ distance unknown

Choose this option if you do not know the real distance D .

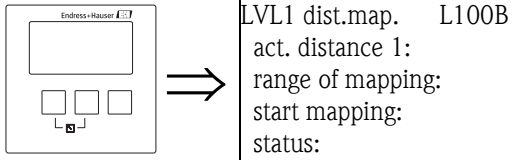
In this case, an interference echo suppression can not be performed and the Prosonic S returns to the "level N" submenu.

■ manual

Choose this option if you want to define the range of mapping manually.

The Prosonic S changes to the "**distance mapping**" parameter set, where you can define the required range of mapping.

"LVL N distance mapping" (N = 1 - 10)



"actual distance N" (N = 1 - 10)

Displays the currently measured distance between the sensor membrane (reference point of the measurement) and the product surface. Compare this value to the real distance in order to find out if currently an interference echo is evaluated.

"range of mapping"

Use this parameter to specify the range of the mapping curve. Normally, a suitable value has already been entered automatically. Nevertheless, you can change this value if required.

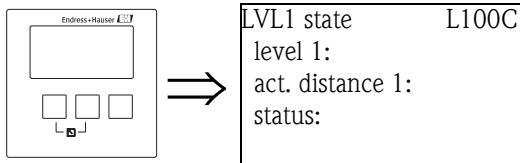
"start mapping"

Select "**yes**" in this parameter in order to start the mapping. When the mapping is finished, the state is automatically changed to "**enable map**".

The "**LVL N state**" parameter set appears, in which the currently measured level and distance are displayed. Compare the displayed distance to the real distance in order to decide if a further mapping is necessary.

If yes: Press the left-arrow key (←) in order to return to the "**LVL N dist. map**" parameter set.

If no: Press the right-arrow key (→), in order to return to the "**level (LVL) N**" submenu.

"LVL N state" (N = 1 - 10)**"level N" (N = 1 - 10)**

Displays the currently measured level.

"act. distance N" (N = 1 - 10)

Displays the currently measured distance.

"status"

Use this parameter to define the status of the interference echo suppression.

- **enable map**

Choose this option in order to activate the interference echo suppression. The mapping is then used for signal evaluation.

- **disable map**

Choose this option in order to deactivate the interference echo suppression. The mapping is then no longer used for signal evaluation but it can be reactivated if required.

- **delete map**

Choose this option in order to delete the mapping. It can not be reactivated again and the instrument uses the preprogrammed default mapping.

6.2.4 Envelope curve display

After the basic setup an evaluation of the measurement with the aid of the envelope curve is recommended, → [74 "Troubleshooting"](#).

6.2.5 Deactivation of unused sensor inputs



Note!

Sensor management

For instruments with multiple sensor inputs it is possible to deactivate inputs (or sensors) which are not used. To do so, go to the function "sensor management/FDU sensor N/sensor operation" and select the desired option:

- **on**

The sensor is switched on.

- **hold**

The sensor is switched off. The last measured value is held.

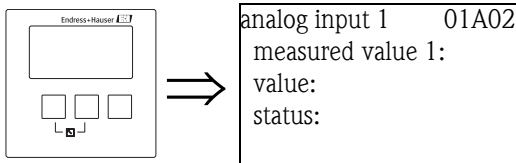
- **off**

The sensor is switched off. No measured value is transmitted.

6.3 Parametrization of the Analog Input Blocks

The measured values are transmitted to the PLC via the Analog Input Blocks of the Prosonic S. The Prosonic S FMU95 provides 20 Analog Input Blcks. They are parametrized in the parameter set "output calculations/analog input/analog input N" (N = 1 to 20). The parameters of this set are described in this section.

6.3.1 "analog input N" (N = 1 - 20)



"measured value N" (N = 1 - 20)

Use this parameter to select the measured or calculated variable which is transferred by the AI block.

Selection

- none
- level N (N = 1 to 10)
- sum N (N = 1 to 5)
- average N (N = 1 to 5)
- temperature sensor N (N = 1 to 10)
- distance sensor N (N = 1 to 10)



Note!

If "**sum N**" or "**average N**" are selected, the Prosonic S returns to the "analog input N" parameter set, which now contains the parameters "**level 1**" to "**level 10**". Select "**yes**" for each parameter which is to be included in the sum or average. Select "**no**" (default) if the respective parameter is not to be included in the sum or average.

Default setting for 5 sensor inputs

- measured value 1 = level 1
- ...
- measured value 5 = level 5
- measured value 6 = none
- ...
- measured value 20 = none

Default setting for 10 sensor inputs

- measured value 1 = level 1
- ...
- measured value 10 = level 10
- measured value 11 = none
- ...
- measured value 20 = none

"value"

Displays the current value of the measured or calculated variable.

"status"

Displays the status which is transferred with the measured value.

6.4 Parametrization of the cyclic data telegram



Note!

- Basic information on the cyclic data exchange between the measuring instrument and an automation system (e.g. PLC) are given in the manual BA00034S "PROFIBUS DP/PA - Guidelines for planning and commissioning"
- The cyclic data exchange requires that the correct device type files (GSD) have been loaded to the automation system. For details → 46 "Loading the device database and type files (GSD)".

6.4.1 Data format

With PROFIBUS DP, analogue measuring values are transmitted to the PLC in blocks (modules) of 5 bytes each. The measured value is encoded in the first four bytes in the form of a floating point number according to the IEEE standard. The fifth byte contains a standardized status information about the instrument. For details refer to the manual BA00034S, "PROFIBUS DP/PA - Guidelines on planning and commissioning".

6.4.2 Modules for the cyclic data telegram

Each AI Block of the Prosonic S FMU95 provides a module of five bytes for the cyclic data telegram. According to the PROFIBUS specifications "Profiles for process control devices" there are two options for each module:

- **AI (OUT):** The module is contained in the cyclic data telegram.
- **Free Place:** The module is **not** contained in the cyclic data telegram.

The options are selected in the configuration tool of the respective PLC. For details refer to the manual of the tool.

6.4.3 Default configuration of the cyclic data telegram

5-channel version (FMU95 - *****A***)

AI Blocks 1 to 5 are contained in the data telegram and transmit one level value each. The other AI Blocks (AI6 to AI20) are not used by default. If required, they can be used to transmit sensor temperatures, averages or sums.

Byte	Block	Access type	Format	Measured value ¹⁾	Unit ²⁾
0, 1, 2, 3	AI 1	read	IEEE754	level 1	m
4			Status byte	Status level1	-
5, 6, 7, 8	AI 2	read	IEEE754	level 2	m
9			Status byte	Status level2	-
10, 11, 12, 13	AI 3	read	IEEE754	level 3	m
14			Status byte	Status level3	-
15, 16, 17, 18	AI 4	read	IEEE754	level 4	m
19			Status byte	Status level4	-
20, 21, 22, 23	AI 5	read	IEEE754	level 5	m
24			Status byte	Status level5	-

- 1) The allocation of the measured values can be changed in "output calculations/analog input/analog input N/ measured value N" (N = 1 to 20).
- 2) The unit can be changed in
 "level/level N/basic setup/unit level"
 "device properties/operating params/distance unit"
 "device properties/operating params/temperature unit"

10-channel version (FMU95 - ***B***)**

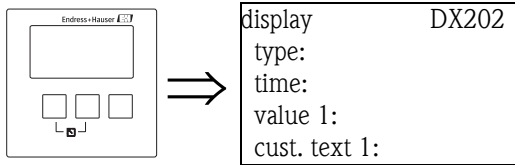
The AI Blocks 1 to 10 are contained in the cyclic data telegram and transmit the respective level values. The other AI Blocks (AI11 to AI20) are not used by default. If required, they can be used to transmit sensor temperatures, averages or sums.

Byte	Block	Access type	Format	measured value ¹⁾	unit ²⁾
0, 1, 2, 3	AI 1	read	IEEE754	level 1	m
4			Status byte	Status level1	-
5, 6, 7, 8	AI 2	read	IEEE754	level 2	m
9			Status byte	Status level2	-
10, 11, 12, 13	AI 3	read	IEEE754	level 3	m
14			Status byte	Status level3	-
15, 16, 17, 18	AI 4	read	IEEE754	level 4	m
19			Status byte	Status level4	-
20, 21, 22, 23	AI 5	read	IEEE754	level 5	m
24			Status byte	Status level5	-
25, 26, 27, 28	AI 6	read	IEEE754	level 6	m
29			Status byte	Status level6	-
30, 31, 32, 33	AI 7	read	IEEE754	level 7	m
34			Status byte	Status level7	-
35, 36, 37, 38	AI 8	read	IEEE754	level 8	m
39			Status byte	Status level8	-
40, 41, 42, 43	AI 9	read	IEEE754	level 9	m
44			Status byte	Status level9	-
45, 46, 47, 48	AI 10	read	IEEE754	level 10	m
49			Status byte	Status level10	-

- 1) The allocation of the measured values can be changed in "output calculations/analog input/analog input N/measured value N" (N = 1 to 20).
- 2) This unit can be changed in "level/level N/basic setup/unit level".

6.5 Parametrization of the on-site display

6.5.1 "display"



"type"

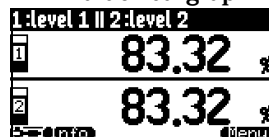
Use this parameter to select the format of the measured value display.

Selection:

- 1x value+bargraph

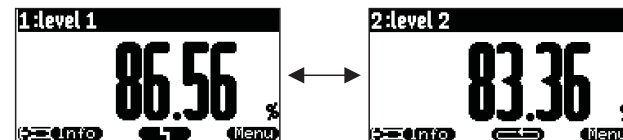


- 2x value+bargraph



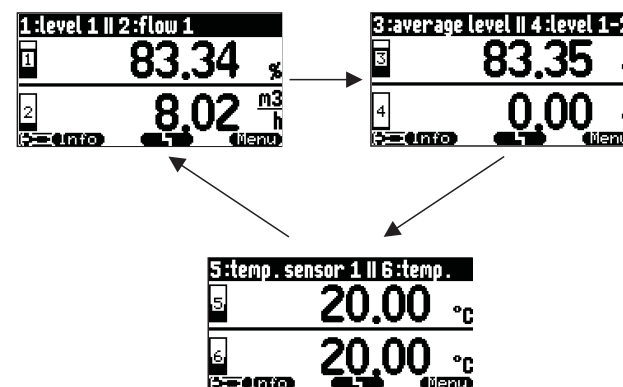
- value max. size

Up to two values are displayed alternately using the entire display:



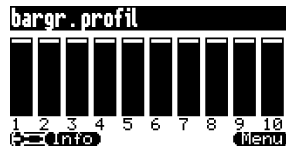
- alter 5x2 values

Up to 10 values can be displayed on five alternating pages. Each pages contains two values.



■ bargraph profile (default)

Bargraphs are displayed for up to 10 measuring values.



"time"

This parameter is used for the options "value max. size" and "alter 53x2 values". It specifies the time after which the next page appears.



Note!

To change to the next page immediately, press .

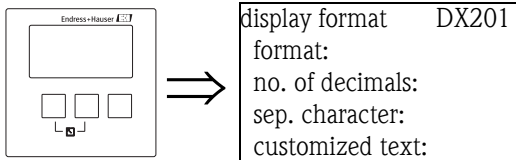
"value 1" ... "value 10"

Use these parameters to allocate a measured or calculated value to each of the display values. The selection depends on the instrument version and installation environment.

"cust. text 1" ... "cust. text 10"

These parameters can be used to allocate a text string to each of the display values. This text is displayed together with the value if "customized text" (in the "display format" parameter set) has been set to "yes".

6.5.2 "display format"



"format"

Use this parameter to select the display format for numbers.

Selection:

- decimal (Default)
- ft-in-1/16"

"no. of decimals"

Use this parameter to select the number of decimals for the representation of numbers.

Selection:

- x
- x.x
- x.xx (Default)
- x.xxx

"sep. character"

Use this parameter to select the separation character for the representation of decimal numbers.

Selection:

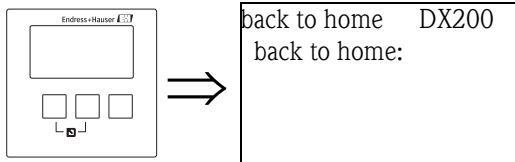
- point (.) (Default)
- comma (,)

"customized text"

Determines if "text 1" to "text 10" from the "display" parameter set are displayed.

Selection:

- no (Default)
- yes

6.5.3 "back to home"**"back to home"**

Use this parameter to specify the return time. If no entry is made during the specified time, the display returns to the measured value display.

- Range of values: 3 ... 9999 s
- Default: 900 s

7 Troubleshooting

7.1 System error messages

7.1.1 Error signal



Errors occurring during commissioning or operation are signalled in the following way:

- Error symbol, error code and error description on the display and operating module
- Status of the output values in the cyclic data telegram
- In the menu: "system information/error list/actual error"

7.1.2 Last error

To access a list of the last errors which have been cleared, go to "system information/error list/last error".

7.1.3 Types of errors

Type of error	Display symbol	Meaning
Alarm (A)	 continuous	The output signal assumes a value which can be defined by the "output on alarm" function: <ul style="list-style-type: none"> ■ MAX: 110% ■ MIN: -10% ■ Hold: last value is held ■ user-specific value An error message appears on the display. The operating state LED lights red The status of the output signal of the affected blocks is BAD.
Warning (W)	 flashing	The instrument continues to measure. An error message appears on the display. The operating state LED flashes red. The status of the output signal of the affected blocks is UNCERTAIN.

7.1.4 Error codes

The error code consists of 6 digits with the following meaning:

- Digit 1: Type of error
 - A: alarm
 - W: warning
 - E: error (the user can define if the error behaves like an alarm or a warning.)
- Digits 2 and 3:
 - indicate the input channel, output channel or the relay to which the error refers. "00" means that the error does not refer to a specific channel or relay.
- Digits 4-6:
 - indicate the error according to the following table.

Example:

W 01 641	<ul style="list-style-type: none"> ■ W: Warning ■ 01: sensor input 1 ■ 641: loss of echo
----------	---

Code	Description of error	Remedy
A 00 100	software version does not fit to hardware version	
A 00 101	checksum error	full reset and recalibration required
A 00 102	checksum error	full reset and recalibration required
W 00 103	initializing - please wait	if the message does not disappear after a couple of seconds: replace electronics
A 00 106	downloading - please wait	wait for completion of the download
A 00 110	checksum error	full reset and recalibration required
A 00 111 A 00 112 A 00 114 A 00 115	electronics defective	switch instrument off/on; if the error persists: call Endress+Hauser service
A 00 116	download error	repeat download
A 00 117	hardware not recognised after exchange	
A 00 125	electronics defective	replace electronics
A 00 152	checksum error	full reset and recalibration required
W 00 153	initializing	if the message does not disappear after a couple of seconds: replace electronics
A 00 155	electronics defective	replace electronics
A 00 164	electronics defective	replace electronics
A 00 171	electronics defective	replace electronics
A 00 180	synchronization faulty	check synchronization wiring (→ 15 "Wiring")
A 00 183	hardware not supported	check if the installed board complies with the order code of the instrument; call Endress+Hauser service
A 01 231 ... A 10 231	sensor 01 - 10 defective - check connection	check for correct connection of the sensor (→ 15 "Wiring")
A 01 281 ... A 10 281	temperature measurement 01 - 10 defective - check connection	check for correct connection of the sensor (→ 15 "Wiring")

Code	Description of error	Remedy
W 01 501 ... W 10 501	no sensor selected for channel 01 - 10	allocate sensor ("level" or "flow" menu)
A 01 502 ... A 10 502	Sensor 01 - 10 not recognized	Enter type of sensor manually ("level" or "flow" menu, submenu "basic calibration".
A 00 511	no factory calibration present	
A 01 512 ... A 10 512	mapping in process	wait for completion of mapping
W01 521 ... W10 521	new sensor 01 - 10 detected	
W01 601 ... W10 601	non-monotonic linearisation curve for level 01 - 10	re-enter linearisation (s. "level" menu)
A 01 604 ... A 10 604	faulty calibration for level 01 - 10	adjust calibration (s. "level" menu)
W01 611 ... W10 611	linearisation points level 01 - 10: number < 2	enter further linearisation points (s. "level" menu)
E 01 641 ... E 10 641	no usable echo sensor 01 - 10	check basic calibration for the respective sensor (s. "level" or "flow" menu)
A 01 651 ... A 10 651	Safety distance reached for sensor 01 - 10: danger of overfilling	Error disappears if the level is out of the safety distance again. Possibly, the function "acknowledge alarm" must be used (s. "safety settings" menu)
E 01 661 ... E 10 661	temperature sensor 01 - 10 too high	
W01 691 ... W10 691	filling noise detected sensor 01 - 10	
W00 801	simulation level switched on	switch off level simulation (s. "level" menu)
W01 802 ... W10 802	simulation sensor 01 -10 switched on	switch off simulation
A 00 820 ... A 00 832	Different units for calculation of average value or sum	Check the units of the respective basic calibrations (s. "level" menu)

7.1.5 Influence of the errors on the status byte of the output signal

The following table specifies the status, which the block output values assume if an error is present. There are three possible status values: GOOD, UNCERTAIN and BAD.

The status is transmitted to the next block. If different status values occur in one chain, the weaker status is overwritten by the stronger one according to the following priority:

- BAD overwrites UNCERTAIN and GOOD.
- UNCERTAIN overwrites GOOD.
- GOOD overwrites no other status.

Therefore, the strongest status of the chain remains at the output of the AI Block. This status is transferred to the PLC together with the measured value.

Examples

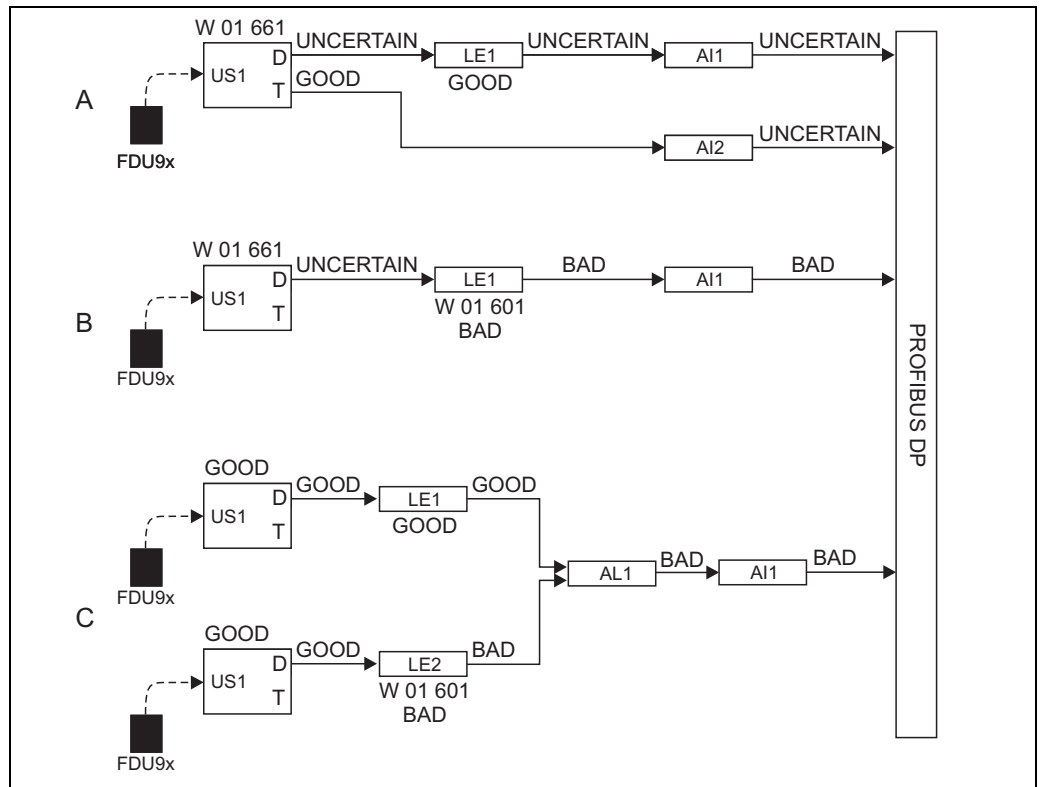


Note!

Errors may occur at different places within the instrument. Each error is allocated to one of the following areas:

- sensor error => sensor block (US 1 - US 10)
- level error => level block (LE 1 - LE 10)
- calculation error => sum block/averaging block (SL 1 - SL 10; AL 1 - AL 10)
- output error => AI Block (AI 1 - AI 20)

Each sensor block (US1 to US10) has two outputs. The first transmits for the measured distance D, the second transmits the sensor temperature T.



A: UNCERTAIN from the sensor block (US1) overwrites GOOD from the level block (LE1);
B: BAD from the level block (LE1) overwrites UNCERTAIN from the sensor block (US1);
C: BAD from the second level block (LE2) overwrites GOOD from the first level block (LE1). Therefore, the status at the output of the averaging block AL1 is BAD.

Errors in the sensor block (US1 to US10)

Code	Output	Status
A 01 231	distance	BAD
...		
A 10 231	temperature	GOOD
A 01 281	distance	BAD
...		
A 10 281	temperature	BAD
W 01 281	distance	UNCERTAIN
...		
W 10 281	temperature	UNCERTAIN
W 01 501	distance	BAD
...		
W 10 501	temperature	BAD
A 01 502	distance	BAD
...		
A 10 502	temperature	BAD
W 01 521	distance	UNCERTAIN
...		
W 10 521	temperature	BAD
A 01 641	distance	BAD
...		
A 10 641	temperature	GOOD
A 01 651	distance	BAD
...		
A 10 651	temperature	GOOD
W 01 651	distance	UNCERTAIN
...		
W 10 651	temperature	GOOD
A 01 661	distance	BAD
...		
A 10 661	temperature	GOOD
W 0N 661	distance	UNCERTAIN
...		
W 10 661	temperature	GOOD
W 01 691	distance	UNCERTAIN
...		
W 10 691	temperature	GOOD
W 01 802	distance	UNCERTAIN
...		
W 10 802	temperature	GOOD

Errors in the level block (LE1 to LE10)

Code	Output	Status
A 01 604	level	BAD
...		
A 10 604		
W 01 601	level	BAD
...		
W 10 601		
W 01 611	level	BAD
...		
W 10 611		
A 0N 671	level	BAD
...		
A 10 671		

Code	Output	Status
W 0N 801	level	UNCERTAIN
...		
W 10 801		

Errors in the averaging and sum blocks (SL1 to SL5 and AL1 to AL5)

Code	Output	Status
A 00 820	■ sum	BAD
...	■ average	
A 00 832		

**Note!**

The output of the AI Block assumes the strongest status of all blocks connected to it. See the example in the above diagram.

7.2 Possible calibration errors

Error	Remedy
Incorrect measured value	Check "actual distance" <ol style="list-style-type: none"> a. "Actual distance" is incorrect <ul style="list-style-type: none"> – For measurements in bypasses or ultrasound guide pipes: Select the appropriate option in the "application parameters" parameter set. – Perform tank map ("distance mapping") b. "Actual distance" is correct <ul style="list-style-type: none"> – Check "empty calibration" and "full calibration" – Check the linearization
Measured value does not change when filling or emptying a vessel	<ol style="list-style-type: none"> a. Perform tank map (interference echo suppression) b. clean sensor if necessary c. choose better mounting position of the sensor (to avoid interference echos)
With an uneven surface the measured value jumps sporadically to higher levels	<ol style="list-style-type: none"> a. Perform tank map (interference echo suppression) b. Select "turbulent surface" or "additional agitator" in the "process conditions" parameter c. Increase "output damping" d. if possible: choose better mounting position and/or larger sensor
When filling the vessel, the measured value sporadically drops to lower levels	<ol style="list-style-type: none"> a. Change the "tank geometry" to "dome ceiling" or "horizontal cylinder" ("application parameters" parameter set) b. If possible: avoid central mounting position of the sensor. c. if possible: install sensor in bypass or ultrasound guide pipe.
Echo loss (Error E@@641)	<ol style="list-style-type: none"> a. Check all settings in the "application parameters" parameter set. b. if possible: choose better mounting position and/or larger sensor. c. Align the sensor membrane parallelly to the product surface (especially for solid applications).

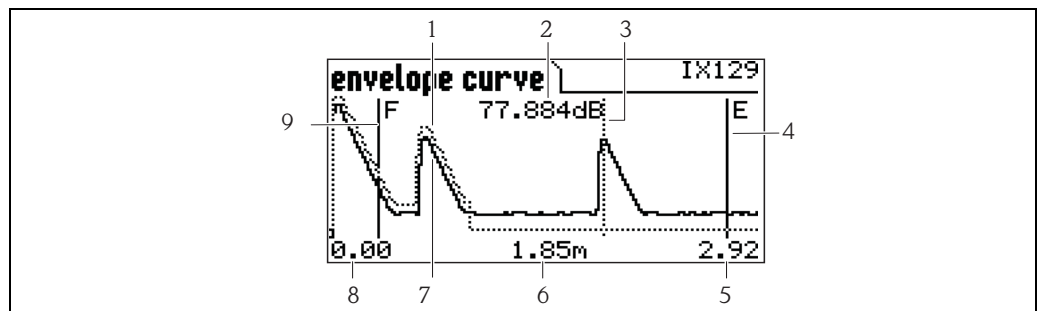
7.3 Envelope curve display

The measuring signal can be checked by the envelope curve display. From the envelope curve it is possible to see if there are interference echos and if they are completely suppressed by the interference echo suppression.

The envelope curve can be displayed on the display and operating module of the Prosonic S or in the FieldCare.

7.3.1 Envelope curve on the display module


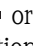
1. Go to the "system information" submenu.
2. Select the "envelope curve" submenu.
3. (only relevant for instruments with two sensor inputs): Select the sensor whose envelope curve you want to check.
4. Select the curves to be displayed:
 - **Envelope curve:** Only the envelope curve is displayed.
 - **Env. curve + FAC:** The envelope curve and the Floating Average Curve (FAC) are displayed.
 - **Env. curve + cust. map:** The envelope curve and the customer mapping curve (for interference echo suppression) are displayed.
5. Select the plot setting:
 - **single curve**
 - **cyclic**
6. Now, the envelope curve display appears:



L00-FMU90xxx-19-00-00-en-083

- 1 Customer mapping curve (dotted line⁵⁾)
- 2 Echo quality of the evaluated echo⁶⁾
- 3 Marking of the evaluated echo
- 4 Marking of the empty calibration E
- 5 Upper limit of the display range
- 6 Distance of the evaluated echo (measured from the reference point of the sensor)
- 7 Envelope curve (solid line)
- 8 Lower limit of the display range
- 9 Marking of the full calibration F

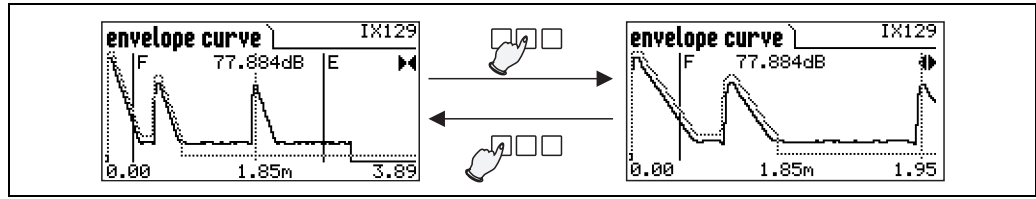
7. Scaling of the envelope curve display

To display a part of the envelope curve in more detail, the curve can be scaled horizontally. To do so, press the left or middle key. The  or  symbol appears in the upper right corner of the display. You have got the following options:

- Press the **middle key** to **zoom in** the envelope curve.
- Press the **left key** to **zoom out** the envelope curve.

5) The Floating Average Curve (FAC) is represented by a dotted line as well.

6) The echo quality is the distance (in dB) between the peak of the echo and the Floating Average Curve (FAC).

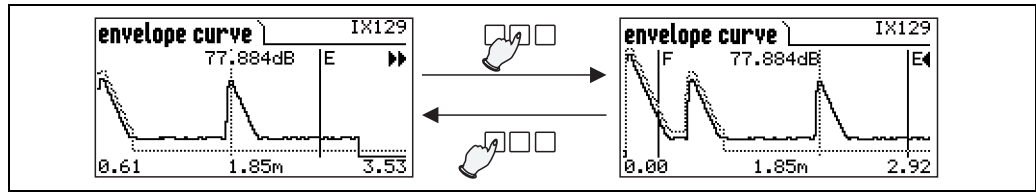


L00-FMU90xxx-19-00-00-en-084

8. **Moving the envelope curve display**


To move the envelope curve display, press the right key a second time. The ◀◀ or ▶▶ symbol appears in the upper right corner of the display. You have got the following options:

- Press the **middle key** to move the envelope curve **to the right**.
- Press the **left key** to move the envelope curve **to the left**.



L00-FMU90xxx-19-00-00-en-085

9. **Quitting the envelope curve display**

Press  to quit the envelope curve display.

7.3.2 Envelope curve display in the FieldCare

The top screenshot shows the FieldCare software interface with the 'Additional Functions' menu open. The 'Envelope Curve US:1' option is highlighted. The bottom screenshot shows the resulting graph with various parameters and curve options.

Parameters:

Name	Value
echo quality (I)	42.3 dB
act. temperature (I)	25.1 °C
util. distance (I)	2.562 m
blocking dist (I)	0.300 m
act. distance (I)	2.56 m
present FEF (I)	17.9 dB
sensor (I)	not needed

Curves:

- Envelope Curve
- Map
- FAC
- Detection Window
- Ideal Echo
- Fast Echo

Data at Cursor Position:

Cursor: _____
 Cursor2: _____
 Dist: _____
 Ideal echo dist.: 0.00 dB

Device Data:

Device Name: Prosonic S HART PROSONIC S FMU90
 Tag Name: _____
 Serial Number: _____

Curve Data:

Number: 11/11
 16.06.2011 08:51:31
 Time remaining: --

1. Click on "F" → "Additional Function" → "Envelope Curve".
2. Select the **sensor** whose envelope curve you want to check.
3. Click on "read curve" to display a **single curve**.
4. Click on "cyclic read" to display the curves **cyclically**.
5. Select the curves you want to check in the "Curves" window:
 - Envelope Curve
 - Map (= mapping of the interference echo suppression)
 - FAC (= Floating Average Curve)

7.4 Software history

Date	Software version	Changes to software	Documentation
04.2007	01.00.00	Original software	BA344F/00/en/04.07 71034224
07.2009	01.01.00	Integration of the FDU90 sensor	■ BA344F/00/en/07.09 71100152 ■ BA00344F/00/EN/13.12 71164423
05.2011	01.01.03	Improvement temperature plausibility	

8 Maintenance

8.1 Exterior cleaning

When cleaning the exterior, always use cleaning agents that do not attack the surface of the housing and the seals.

8.2 Repairs

The Endress+Hauser repair concept assumes that the measuring devices have a modular design and that customers are able to undertake repairs themselves → 86, "Spare Parts". For more information on service and spare parts, please contact your Endress+Hauser sales representative.

8.3 Repairs to Ex-approved devices

When carrying out repairs to Ex-approved devices, please note the following:

- Repairs to Ex-approved devices may only be carried out by trained personnel or by the Endress+Hauser Service.
- Comply with the prevailing standards, national Ex-area regulations, safety instructions (XA) and certificates.
- Only use original spare parts from Endress+Hauser.
- When ordering a spare part, please note the device designation on the nameplate. Only replace parts with identical parts.
- Carry out repairs according to the instructions. On completion of repairs, carry out the specified routine test on the device.
- Only Endress+Hauser Service may convert a certified device into a different certified variant.
- Document all repair work and conversions.

8.4 Replacement

After a complete instrument or electronic module has been replaced, the parameters can be downloaded into the instrument again via the communication interface. Prerequisite to this is that the data were uploaded to the PC beforehand using FieldCare. Measurement can continue without having to carry out a new setup. Only a linearisation and a tank map (interference echo suppression) have to be recorded again.

8.5 Replacing a sensor

Sensors can be replaced if required.

After replacing a sensor, the following parameters of the "basic setup" submenu must be checked:

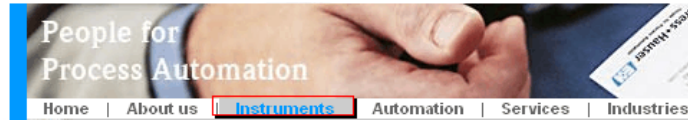
- for sensors FDU8x: sensor type
(sensors of the type FDU9x are automatically detected by the Prosonic S)
- the empty calibration
- for level measurements: the full calibration
- the interference echo suppression

After that, the measurement can be continued without further restrictions.

8.6 Spare Parts

An overview of the spare parts for your device is available in the internet at www.endress.com. To obtain information on the spare parts, proceed as follows:

1. Go to "www.endress.com" and select your country.
2. Click "Instruments".



3. Enter the product name into the "product name" field.

Endress+Hauser product search


Via product name
Enter the product name

4. Select the device.
5. Click the "Accessories/Spare parts" tab.

General information	Technical information	Documents/ Software	Service	Accessories/ Spare parts
---------------------	-----------------------	---------------------	---------	---------------------------------

▶ Accessories
 ▼ All Spare parts

- ▶ Housing/housing accessories
- ▶ Sealing
- ▶ Cover
- ▶ Terminal module
- ▶ HF module
- ▶ Electronic
- ▶ Power supply
- ▶ Antenna module



Advice
Here you'll find a list of all available accessories and spare parts. To only view accessories and spare parts specific to your product(s), please contact us and ask about our Life Cycle Management Service.

◀ | 1 / 2 | ▶ | 🔍

6. Select the required spare parts (You may also use the overview drawing on the right side of the screen.)

When ordering spare parts, always quote the serial number indicated on the nameplate. As far as necessary, the spare parts also include replacement instructions.

8.7 Return

Returning devices

The measuring device must be returned if repairs or a factory calibration are required, or if the wrong measuring device has been ordered or delivered. According to legal regulations, Endress+Hauser, as an ISO-certified company, is required to follow certain procedures when handling returned products that are in contact with medium.

To ensure swift, safe and professional device returns, please read the return procedures and conditions on the Endress+Hauser website at www.services.endress.com/return-material

8.8 Disposal

In case of disposal please separate the different components according to their material consistence.

8.9 Contact addresses of Endress+Hauser

Contact addresses can be found on our homepage: www.endress.com/worldwide. If you have any questions, please contact your Endress+Hauser sales representative.

9 Accessories

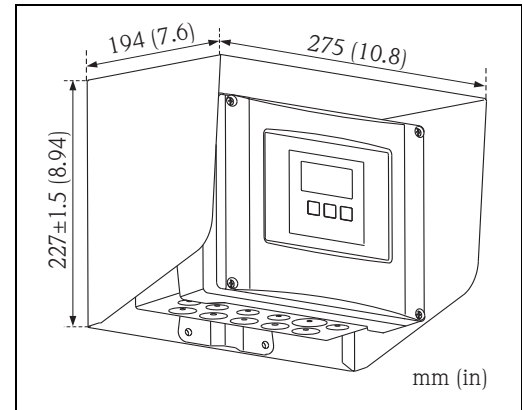
9.1 Commubox FXA291

For intrinsically safe communication with FieldCare via the service interface (IPC) of the instrument and the USB interface of a PC/Notebook.

Ordering Code: 51516983

9.2 Protection cover for the field housing

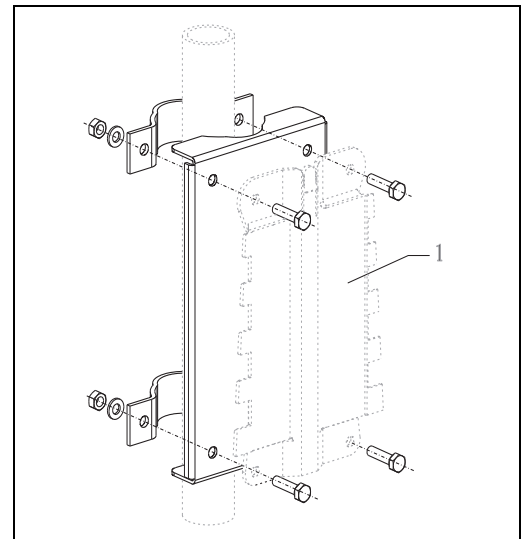
- Material: 316Ti (1.4571)
- is mounted by the mounting help of the Prosonic S
- Order-Code: 52024477



100-FMU90xxx-00-00-00-xx-003

9.3 Mounting plate for the field housing

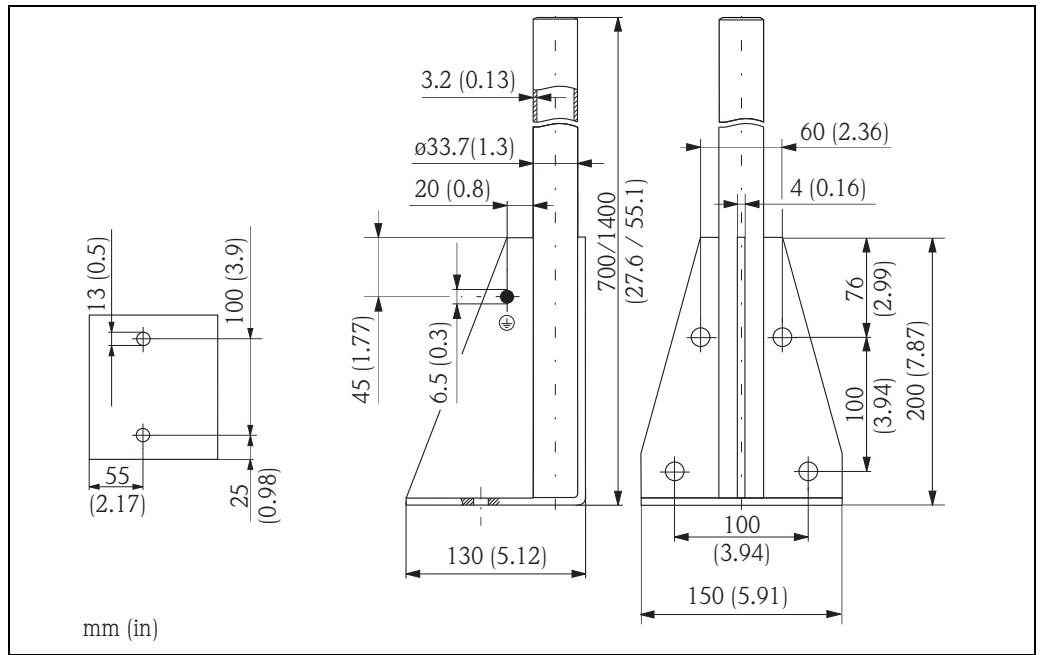
- suited for the mounting help of the Prosonic S
- for 1" - 2" tubes
- Dimensions: 210 x 110 mm (8.27 x 4.33 in)
- Material: 316Ti (1.4571)
- fixing clips, screws and nuts are supplied
- Order code: 52024478



100-FMU90xxx-00-00-00-xx-001

1 Mounting help of the field housing

9.4 Mounting bracket



L00-FM1xx-00-00-xx-005

Height	Material	Order Code
700 (27.6)	galv. steel	919791-0000
700 (27.6)	316Ti (1.4571)	919791-0001
1400 (55.16)	galv. steel	919791-0002
1400 (55.16)	316Ti (1.4571)	919791-0003

mm (in)

9.5 Adaption plate for remote display

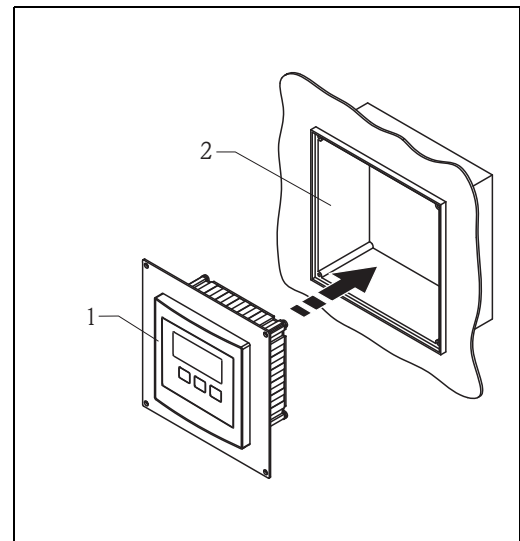
Used to mount the remote display into the opening (138 x 138 mm (5.43 x 5.43 in)) of the remote display module of the Prosonic FMU860/861/862 (Display size: 144 x 144 mm (5.67 x 5.67 in)).

Order-Code: 52027441



Note!

The adapter plate will be mounted directly in the old remote display of the FMU86x series. The housing of the remote display of FMU860/861/862 is the holder for the adapter plate and the new remote display of the FMU90/95 in the format 96 x 96 mm (3.78 x 3.78 in).



100-FMU90xxx-00-00-00-xx-001

- 1 Remote display of the Prosonic S with adaption plate
2 Opening of the remote display FMU860/861/862

Option:

Adaption plate 160 x 160 mm (6.3 x 6.3 in), thickness 3 mm (0.12 in), aluminum, opening 92 x 92 mm (3.62 x 3.62 in) for remote display of the FMU90 (size of the display: 96 x 96 mm (3.78 x 3.78 in)).

Can be used to replace the FMU86x remote display or DMU2160/2260.

Order Code: TSPFU 0390

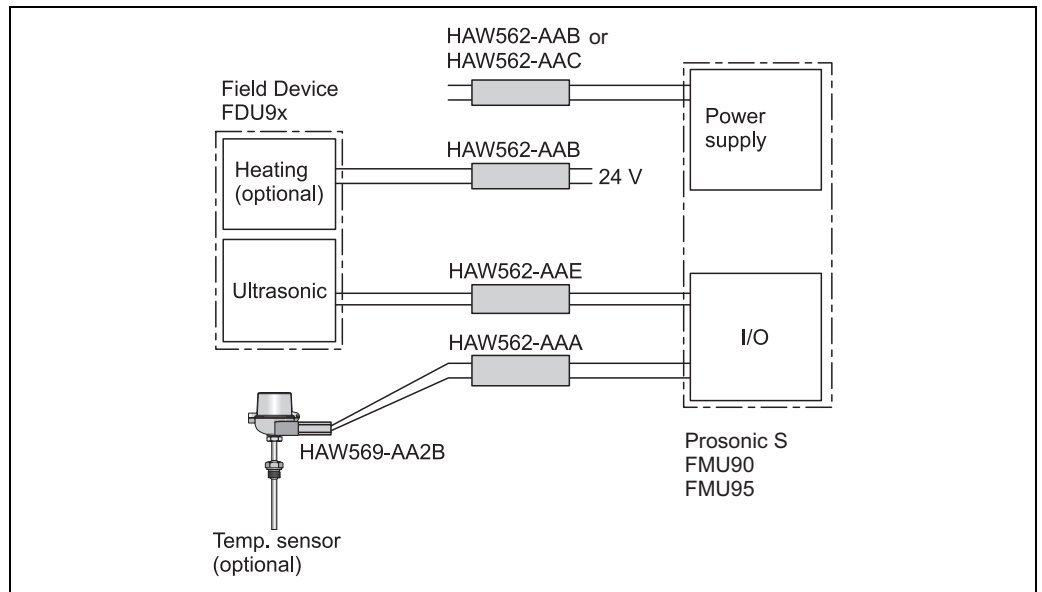
Please contact your Endress+Hauser sales representative.

9.6 Overvoltage protection (in IP66 housing)

- Overvoltage protection for the mains voltage and up to 3 signal outputs
- Dimensions of housing: 292 x 253 x 106 mm (11.5 x 9.96 x 4.17 in)
- Order Code: 215095-0001

9.7 Overvoltage protection HAW562

9.7.1 System principle



L00-FMU9x-15-00-00-en-001

9.8 Extension cable for sensors

for Sensor	Material	Cable type	Order code
<ul style="list-style-type: none"> ■ FDU90 ■ FDU91 ■ FDU92 	PVC	LiYCY 2x(0.75)	71027742
<ul style="list-style-type: none"> ■ FDU91F ■ FDU93 ■ FDU95 	PVC (-40 to +105 °C) (-40 to +221 °F)	LiYY 2x(0.75)D+1x0.75	71027743
<ul style="list-style-type: none"> ■ FDU95 ■ FDU96 	Silicone (-40 to +150 °C) (-40 to +302 °F)	Li2G2G 2x(0.75)D+1x0.75	71027745
<ul style="list-style-type: none"> ■ FDU90/FDU91 with heater 	PVC	LiYY 2x(0.75)D+2x0.75	71027746

Total length (sensor cable + extension cable): up to 300 m (984 ft)

10 Technical Data

10.1 Technical data at a glance

10.1.1 Input

Sensor inputs

Depending on the instrument version, up to 5 or up to 10 of the sensors FDU90, FDU91, FDU91F, FDU92, FDU93, FDU95 and FDU96 can be connected. The Prosonic S identifies these sensors automatically.

Sensor	FDU90	FDU91 FDU91F	FDU92	FDU93	FDU95	FDU96
max. range ¹⁾ in liquids	3 (9.8)	10 (33)	20 (66)	25 (82)	-	-
max. range ¹⁾ in solids	1.2 (3.9)	5 (16)	10 (33)	15 (49)	45 (148)	70 (230)

m (ft)

- 1) This table gives the maximum range. The range depends on the measuring conditions. For an estimation see Technical Information TI00396F, chapter "Input".

In order to support existing installations, the sensors of the former series FDU8x can be connected as well. The type of sensor must be entered manually.

Sensor	FDU80 FDU80F	FDU81 FDU81F	FDU82	FDU83	FDU84	FDU85	FDU86
max. range ¹⁾ in liquids	5 (16)	10 (33)	20 (66)	25 (82)	-	-	-
max. range ¹⁾ in solids	2 (6.6)	5 (16)	10 (33)	15 (49)	25 (82)	45 (148)	70 (230)

m (ft)

- 1) This table gives the maximum range. The range depends on the measuring conditions. For an estimation see Technical Information TI00189F, chapter "Planning Recommendations".



Warning!

The sensors FDU83, FDU84, FDU85 and FDU86 with an ATEX, FM or CSA certificate are not certified for connection to the transmitter FMU95.

10.1.2 Output

PROFIBUS DP interface

Profile	3.0
Transmittable values	<ul style="list-style-type: none"> ■ main value (level 1 to level 10) ■ distances ■ temperatures ■ averages/sums
Function blocks	<ul style="list-style-type: none"> ■ 20 Analog Input Blocks (AI)
Supported baud rates	<ul style="list-style-type: none"> ■ 9.6 kbaud ■ 19.2 kbaud ■ 45,45 kbaud ■ 93.75 kbaud ■ 187.5 kbaud ■ 500 kbaud ■ 1.5 Mbaud ■ 3 Mbaud ■ 6 Mbaud ■ 12 Mbaud
Service Access Points (SAPs)	2
ID number	154E (hex) = 5454 (dec)
GSD file	EH3x154E.gsd
Addressing	via dip switches at the instrument or via software (e.g. FieldCare) Default address: 126 per software
Termination	can be activated/deactivated in the instrument
Locking	The device can be locked by hardware or software.

10.1.3 Power supply

Supply voltage/
Power consumption/
Current consumption

Instrument version	Supply voltage	Power consumption	Current consumption
AC voltage (FMU95 - ****A****)	90 ... 253 V _{AC} (50/60 Hz)	max. 23 VA	max. 100 mA at 230 V _{AC}
DC voltage (FMU95 - ****B****)	10,5 ... 32 V _{DC}	max. 14 W (typically 8 W)	max. 580 mA at 24 V _{DC}

Galvanic isolation

The following terminals are galvanically isolated from each other:


- auxiliary energy
- sensor inputs
- bus connection (PROFIBUS DP)

Fuse


- 2 A T /DC
- 400 mA T /AC

accessible in the terminal compartment

10.1.4 Performance characteristics

Reference operating conditions	<ul style="list-style-type: none"> ■ Temperature = 24±5 °C (75±9 °F) ■ Pressure = 960±100 mbar (14±1.45 psi) ■ Relative humidity = 60±15 % ■ Ideally reflecting surface, sensor vertically aligned (e.g. calm, plane liquid surface of 1 m² (10.76 ft²)) ■ No interference echoes within the signal beam ■ Settings of the application parameters: <ul style="list-style-type: none"> – tank shape = flat ceiling – medium property = liquid – process condition = calm surface
Measuring uncertainty ⁷⁾	±0.2 % of the maximum span of the sensor
Typical accuracy ⁸⁾	±2 mm (0.08 in) + 0.17 % of the measured distance
Measured value resolution	1 mm (0.04 in) with FDU90/FDU91
Measuring frequency	<ul style="list-style-type: none"> ■ 0.2 Hz (with 5 sensors) ■ 0.1 Hz (with 10 sensors) <p>The exact value depends on the settings of the application parameters and the instrument version (5 sensors or 10 sensors).</p> <p> Note! If unused sensor inputs are switched off (in the "sensor management" menu), the measuring frequency increases. The Prosonic S measures with one sensor per second.</p>
Influence of the vapor pressure	<p>The vapor pressure at 20 °C (68 °F) gives a hint on the accuracy of the ultrasonic level measurement. If the vapor pressure at 20 °C (68 °F) is below 50 mbar (1 psi), ultrasonic level measurement is possible with a very high accuracy. This is valid for water, aqueous solutions, water-solid-solutions, dilute acids (hydrochloric acid, sulfuric acid, ...), dilute bases (caustic soda, ...), oils, greases, slurries, pastes, ...</p> <p>High vapor pressures or outgassing media (ethanol, acetone, ammonia, ...) can influence the accuracy. If conditions like these are present, please contact your Endress+Hauser sales representative.</p>

10.1.5 Ambient conditions

Ambient temperature	<p>-40 to 60 °C (-40 to 140 °F)</p> <p>The functionality of the LC display becomes restricted at T_U < -20 °C (T_U < -4 °F).</p> <p>If the device is operated outdoors in strong sunlight, a protective cover should be used (→  88, "Accessories").</p>
Storage temperature	-40 to 60 °C (-40 to 140 °F)
Climate class	<ul style="list-style-type: none"> ■ Field housing: according to DIN EN 60721-3 4K2/4K5/4K6/4Z2/4Z5/4C3/4S4/4M2 (DIN 60721-3 4K2 corresponds to DIN 60654-1 D1) ■ Housing for DIN rail mounting: according to DIN EN 60721-3 3K3/3Z2/3Z5/3B1/3C2/3S3/3M1 (DIN 60721-3 3K3 corresponds to DIN 60654-1 B2)

7) according to NAMUR EN 61298-2

8) after calibration

Vibration resistance	<ul style="list-style-type: none"> ■ Housing for DIN rail: DIN EN 60068-2-64 / IEC 68-2-64; 20 ... 2000 Hz; 0,5 (m/s²)²/Hz ■ Field housing: DIN EN 60068-2-64 / IEC 68-2-64; 20 ... 2000 Hz; 1,0 (m/s²)²/Hz
----------------------	---

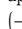
Ingress protection	<ul style="list-style-type: none"> ■ Field housing: IP66 / NEMA 4x ■ Housing for DIN rail: IP20 ■ separate display: <ul style="list-style-type: none"> – IP65 / NEMA 4 (front panel , if mounted in cabinet door) – IP20 (rear panel, if mounted in cabinet door)
--------------------	---

Electromagnetic compatibility (EMC)	<ul style="list-style-type: none"> ■ Electromagnetic compatibility according to all relevant requirements of the EN 61326- series and NAMUR recommendation EMC (NE21). For details see declaration of conformity. ■ With respect to interference emission the devices meet the requirements of class A and are only provided for use in an "industrial environment"!
-------------------------------------	--

10.1.6 Mechanical construction

Dimensions	→  10 "Installation"
------------	---

Weight

Housing version	Weight
Field housing	approx. 1.6 to 1.8 kg (3.53 to 3.97 lbs); depending on instrument version
Housing for DIN rail	approx. 0.5 to 0.7 kg (1.10 to 1.54 lbs); depending on instrument version (→  12 "Dimensions of the DIN-rail housing")
separate display and operating module	approx. 0.5 kg (1.10 lbs)

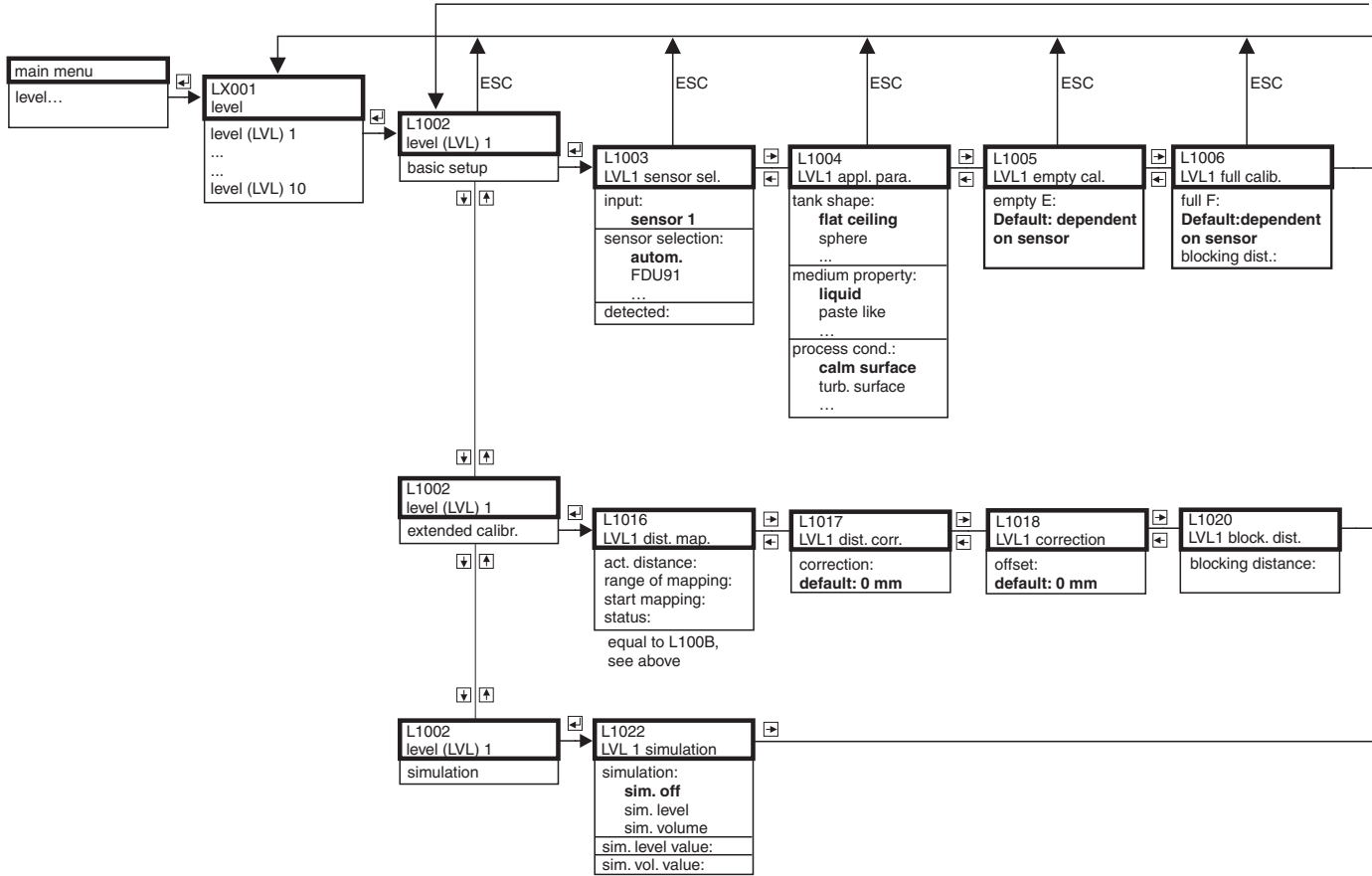
Materials

Part	Material
Housing bracket	PC-FR
Field housing	PC-FR
Housing for DIN rail	PBT-GF

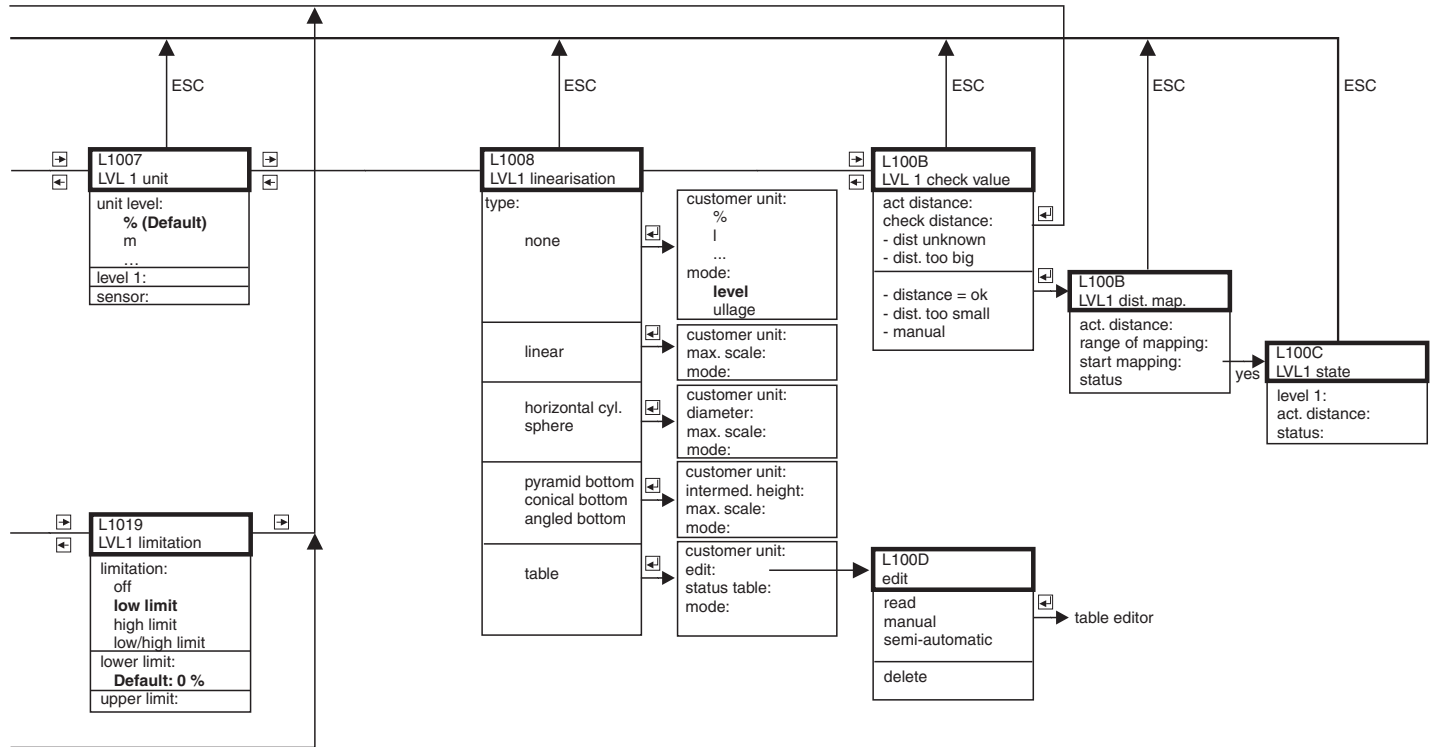
For details see Technical Information TI00398F/00.

11 Operating menu

11.1 "level"

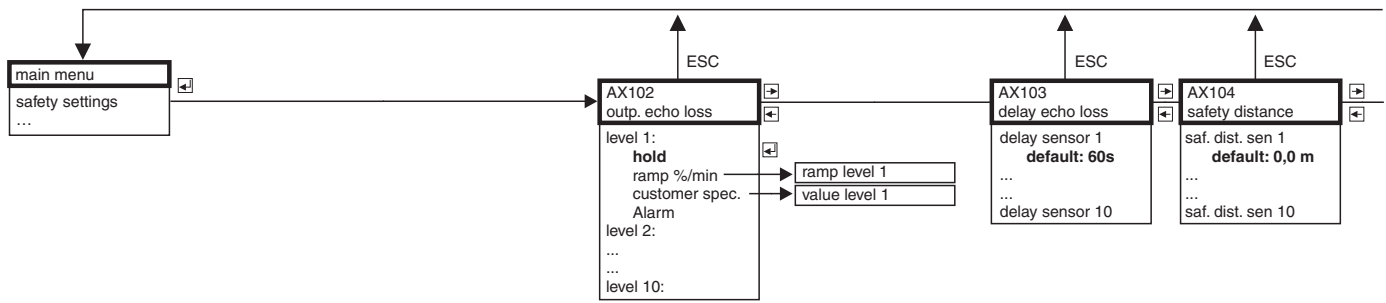


L00-FMU95xxx-19-01-01-es-001



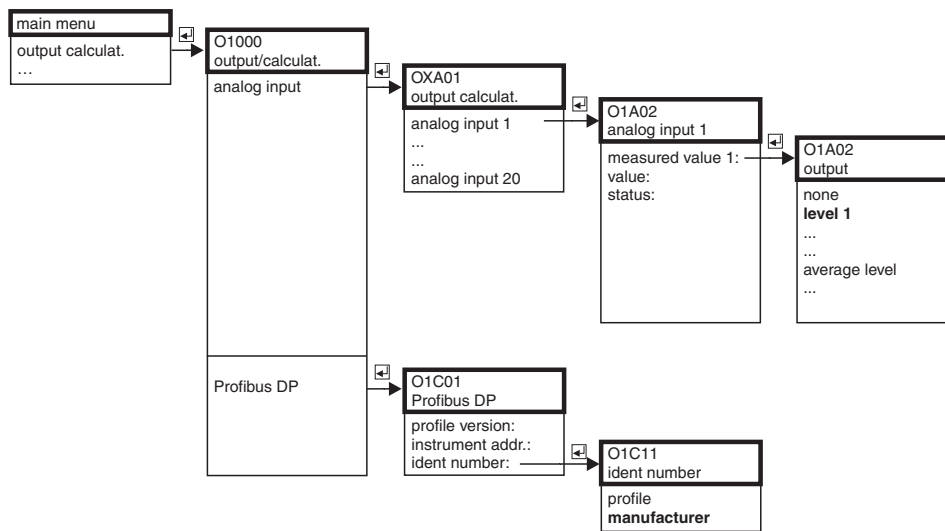
L00-FMU95xxx-19-01-02-en-001

11.2 "safety settings"

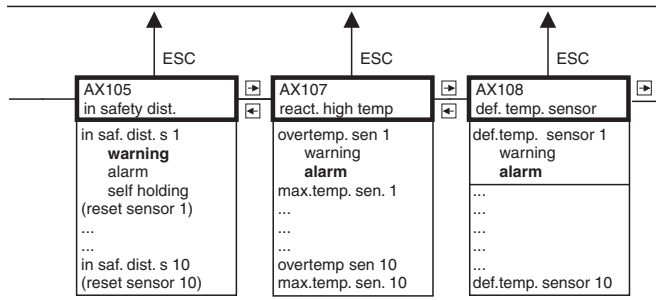


L00-FMU95xxx-19-03-01-es-001

11.3 "outputs/calculations"

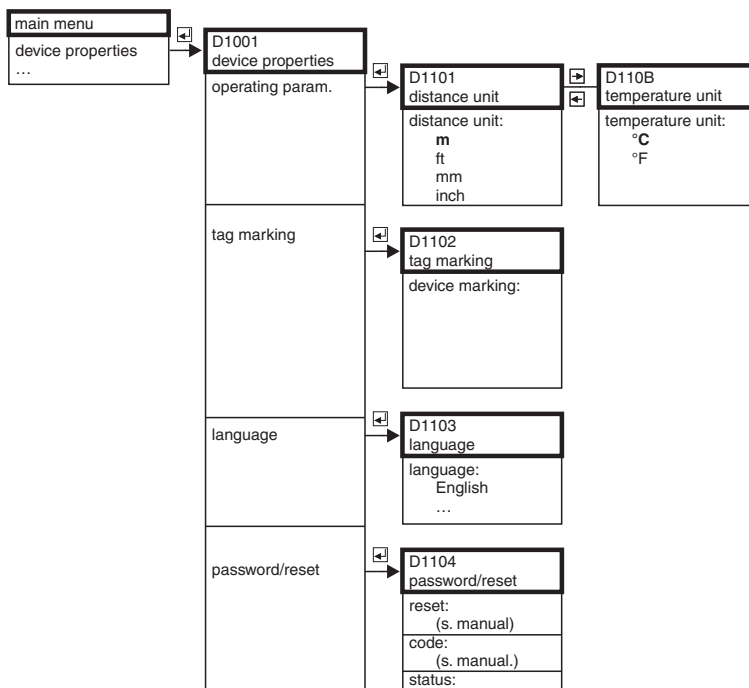


L00-FMU95xxx-19-12-01-es-001



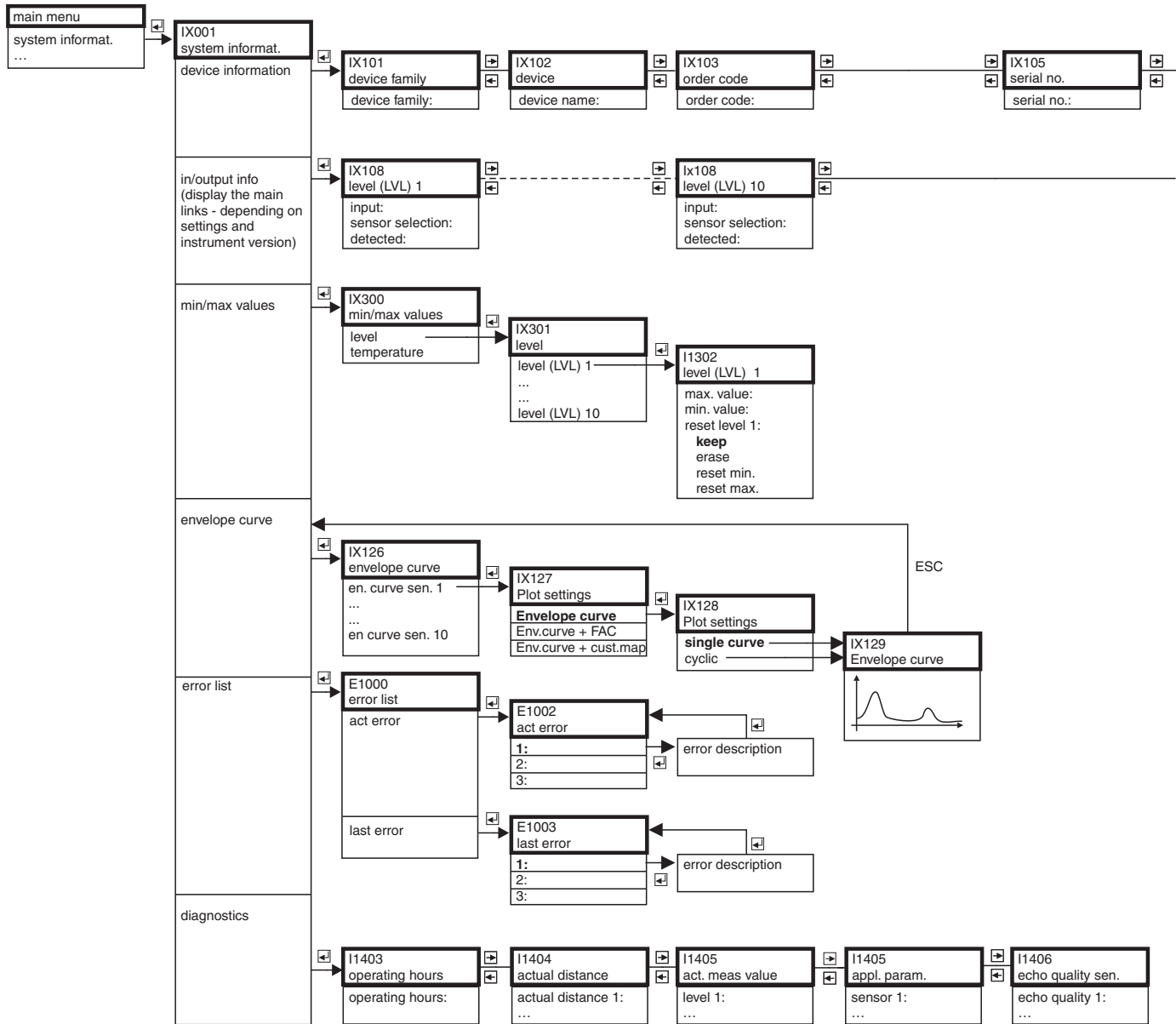
L00-FMU95xxx-19-03-02-en-001

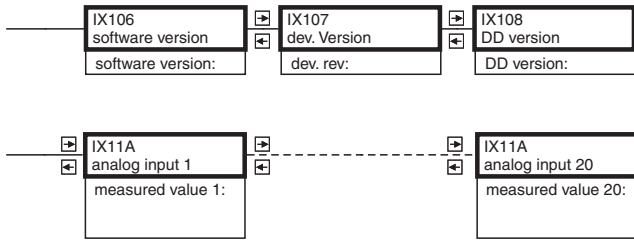
11.4 "device properties"



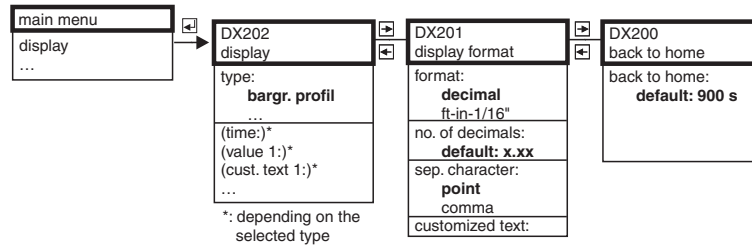
L00-FMU95xxx-19-14-01-en-001

11.5 "system information"



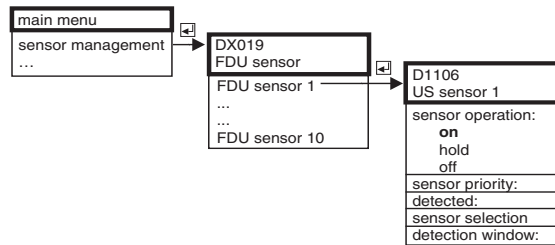


11.6 "display"



L00-FMU95xxx-19-09-01-es-001

11.7 "sensor management"



L00-FMU95xxx-19-10-01-es-001

12 Appendix

12.1 Default Block Configuration

The Prosonic S contains the following function blocks. During commissioning they are linked to each other according to the required measuring task.

Signal inputs

- 10 Ultrasonic Sensor Blocks (US1 bis US10)

Measured value calculation

- 10 Level Blocks (LE1 bis LE10)

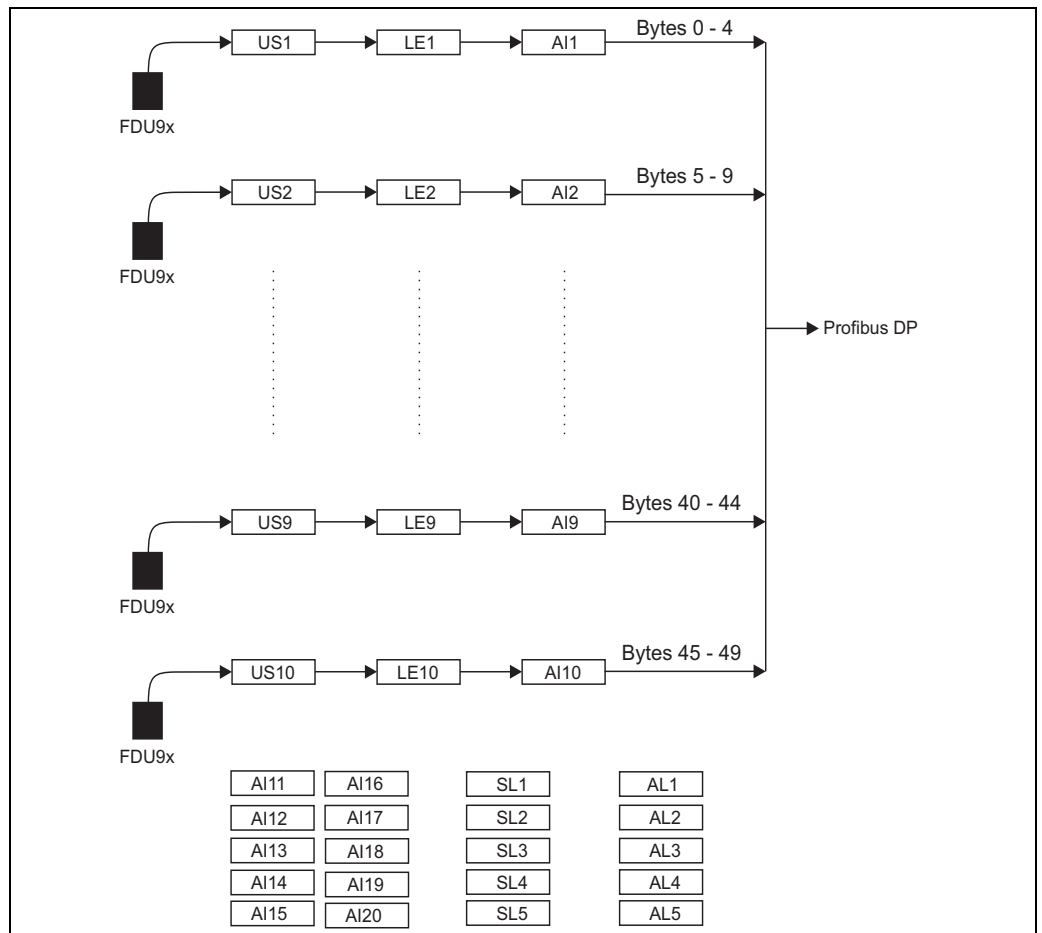
Signal Outputs

- 20 Analog Input Blocks (AI1 bis AI20)

Calculations

- 5 Sum Level Blocks (SL1 bis SL5)
- 5 Average Level Blocks (AL1 bis AL5)

On delivery, each sensor block is connected to a level block and an AI block. The blocks AI 11 to AI 20 as well as the Sum and Average Blocks are not connected on delivery.



L00-FMU95xxx-19-00-00-yy-001

Index

Symbols

"back to home"	73
"display format"	72
"LVL N distance mapping" (N = 1 or 2)	66

A

actual distance N (N = 1 to 10) (parameter)	65–67
Acyclic data exchange	29
Adaption plate for remote display	90
Adaption plate for remote display module	14
analog input N (N = 1 to 10) (parameter set)	68
angled bottom (linearisation type)	60

B

Basic setup	51
blocking distance (parameter)	57

C

Cable entries	15
Calibration errors	80
CE mark	9
check distance (parameter)	65
cleaning	85
CommuBox FXA291	88
conical bottom (linearisation type)	60
cust. text N (N = 1 to 10) (parameter)	72
customer unit (parameter)	62

D

declaration of conformity	9
detected (parameter)	53
Device address	44
diameter (parameter)	62
DIN-rail housing	6, 12
display (parameter set)	71
Display and operating module	31

E

edit (parameter)	63
empty E (parameter)	56
Envelope curve	81
Error codes	75
Error signal	74
Extension cable for sensors	91

F

field housing	6, 10
FieldCare	43
First setup	49
full F (parameter)	57
FXA291	88

G

GSD files	46
-----------------	----

H

horizontal cylinder	60
---------------------------	----

I

Incoming acceptance	10
input (parameter)	53
Interference echo suppression	64
intermediate height (parameter)	62

L

level N (N = 1 to 10) (parameter)	58, 67
Linearisation	59
Linearisation table	61
Locking	47
LVL N application parameters (N = 1 to 10) (parameter set)	54
LVL N check value (N = 1 to 10) (parameter set)	65
LVL N empty calibration (N = 1 to 10) (parameter set)	56
LVL N full calibration (N = 1 to 10) (parameter set)	57
LVL N linearisation (N = 1 to 10) (parameter set)	59
LVL N sensor selection (N = 1 to 10) (parameter set)	53
LVL N state (N = 1 to 10) (parameter set)	67
LVL N unit (N = 1 to 10) (parameter set)	58

M

maximum scale (parameter)	62
measured value N (N = 1 to 20) (parameter)	68
medium property (parameter)	54
mode (parameter)	62
Mounting bracket	89
Mounting plate for the field housing	88

N

Nameplate	7
-----------------	---

O

Operating menu (navigation)	35
Operating menu (overview)	96
Operational safety	4
Overvoltage protection	90
Overvoltage protection HAW562	91

P

Potential equalization	26
process conditions (parameter)	55
process safety	4
Product structure	8
Protection cover for field housing	88
pyramid bottom (linearisation type)	60

R

range of mapping (parameter)	66
remote display and operating module	7, 13
repairs to Ex-approved devices	85
Reset to default configuration	48

S

Safety conventions and symbols	5
Safety Instructions	4
Scope of delivery	9
sensor (parameter)	58

Sensor cable extension	22
Sensor cable shortening	23
Sensor connection	21
Sensor mounting	14
sensor selection (parameter)	53
separate display and operating module	25
Software history	84
Spare Parts	86
sphere (linearisation type)	60
start mapping (parameter)	66
status (parameter)	67–68
status table (parameter)	63
Storage	10
Synchronization line	24

T

table (linearisation type)	61
table editor	63
tank shape (parameter)	54
Terminal assignment	18
time (parameter)	72
Trademarks	9
Transport	10
type (parameter)	59, 71

U

unit level (parameter)	58
------------------------	----

V

value (parameter)	68
value N (N = 1 to 10) (parameter)	72

W

Wiring	15
--------	----

www.endress.com/worldwide

Endress+Hauser 
People for Process Automation

