

2 poles - 3000/3600 rpm

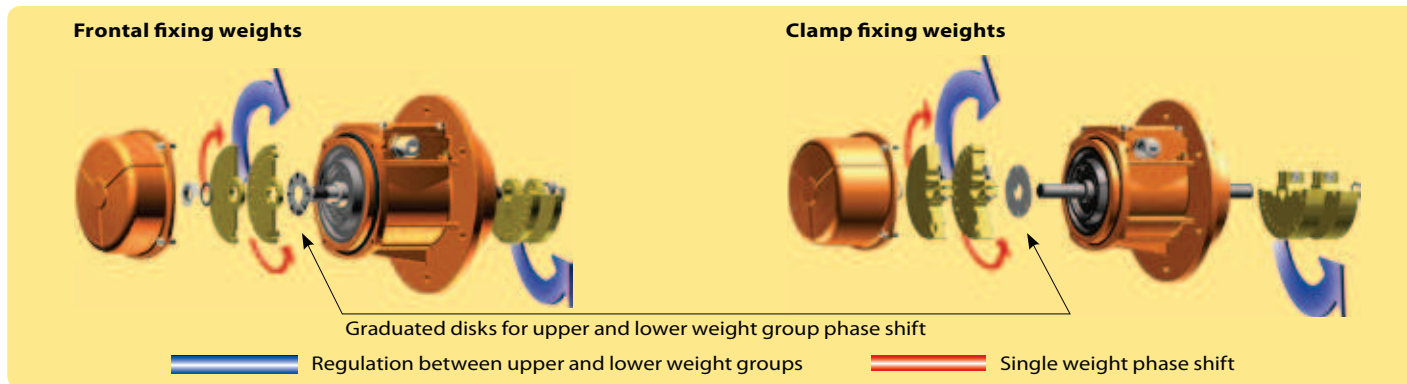
	Description			Mechanical specifications						Electrical specifications									
	Code	Type	SIZE	Centrifugal force (A/B)*				Weight		Temp. class (G)	Temp. class (D)	Max input power		Power rating		Max. current		t _E (s)	I _a /I _N
				kg	kN	kg	kg	W	W			W	A	A					
three-phase	6E0369	MTF 3/200E-S02 ○	01	106/75	109/109	1.04/0.74	1.07/1.07	7.50	7.30	T3	120°C	180	180	120	120	0.33	0.33	30	2.68
	6E0370	MTF 3/300E-S02	10	151/153	148/148	1.48/1.01	1.45/1.45	11.2	10.9	T3 T4	120°C	260 230	270 230	210 172	210 172	0.57 0.48	0.50 0.41	18 12	3.50 4.20
	6E0378	MTF 3/500E-S02	20	251/163	235/235	2.46/1.60	2.30/2.30	15.0	14.1	T3 T4	120°C	500 350	500 360	300 210	300 210	0.76 0.57	0.67 0.50	12 8	4.20 5.60
	6E0456	MTF 3/650E-S02	20	393/251	377/235	3.85/2.46	3.70/2.30	15.2	14.3	T3 T4	120°C	500 350	300 360	300 210	300 210	0.76 0.57	0.67 0.50	12 8	4.20 5.60
	6E0380	MTF 3/800E-S02	30	393/262	377/377	3.85/2.57	3.70/3.70	17.0	16.5	T3 T4	120°C	550 390	570 400	405 290	405 290	0.95 0.72	0.83 0.64	12 8	4.20 5.52
	6E0285	MTF 3/1100E-S90 Δ	40	590/590	566/566	5.79/5.79	5.55/5.55	26.0	25.0	T4	120°C	830	910	660	660	1.43	1.25	6	7.30

* Listed as A/B: total centrifugal force is the sum of centrifugal force of top weights (A) and centrifugal force of bottom weights (B).

○ Available only in versions 127/220V 50Hz three-phase, 200/346V 50Hz three-phase and 210/363V 60Hz three-phase.

Δ Supplied without weight covers on both sides. t_E (s) = set time t_E from IEC/EN 60079-7. I_a/I_N = ratio between start-up current and maximum current.

Weight adjustment

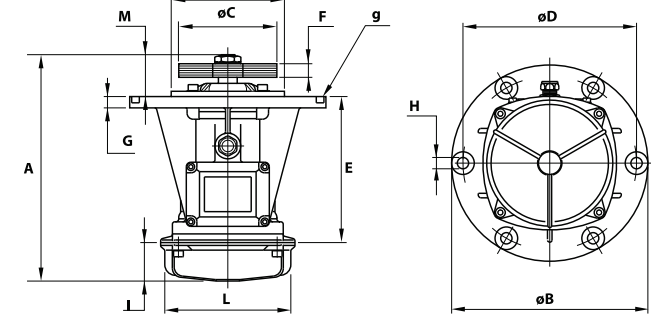


2 poles - 3000/3600 rpm

three-phase	Type	Dimensional specifications (mm)															
		Fig.	A	øB	øC	Holes			E	F	G	I	L	M	øP	Cable entry thread	Seal g
	MTF 3/200E-S02 ○	G	225.5	211.5	92	188	12	4	144	21 (50Hz) 15 (60Hz)	10	58	103	23.5	-	M20x1,5	OR 4650
	MTF 3/300E-S02	G	247	215	110	187	12	4	179.5	18 (50Hz) 12 (60Hz)	13	54	127	13.5	-	M20x1,5	OR 4625
	MTF 3/500E-S02	G	279.5	245	150	205	12	6	124	24 (50Hz) 15 (60Hz)	12	65	145	90.5	162	M25x1,5	OR 4700
	MTF 3/650E-S02	G	279.5	245	150 (50Hz) 132 (60Hz)	205	12	6	124	18	12	65	145	90.5	162	M25x1,5	OR 4700
	MTF 3/800E-S02	G	301	260	150 (50Hz) 132 (60Hz)	230	15	6	182	18	15	63	170	56	150	M25x1,5	OR 4800
	MTF 3/1100E-S90 Δ	G	383	279	145	254	14	4	-	31 (50Hz) 21 (60Hz)	17.5	57.5	-	63	229	M25x1,5	-

○ Available only in versions 127/220V 50Hz three-phase, 200/346V 50Hz three-phase and 210/363V 60Hz three-phase. Δ Supplied without weight covers on both sides.

Fig. G



Weight adjustment

