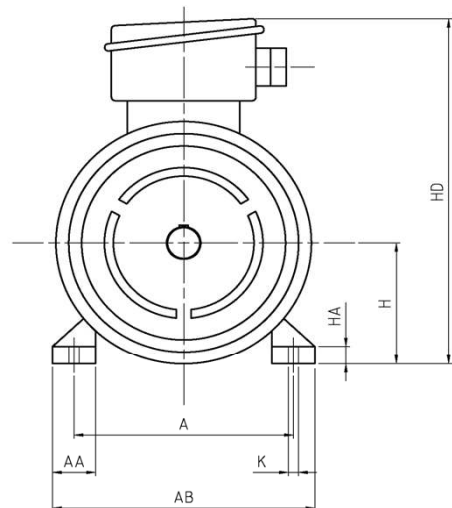
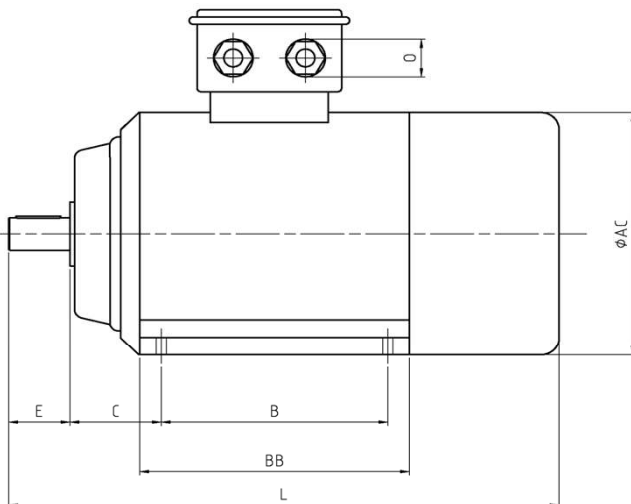


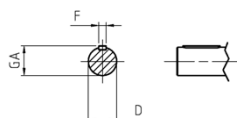
E.M.C. Electrical Motors Company -- ITALY --

MOTORI ASINCRONI 3-FASE / MOTEURS ASYNCHRONES 3-PHASES / 3-PHASE INDUCTION MOTORS

CONSTRUTTORE CONSTRUCTEUR MANUFACTURER	E.M.C.	GRANDEZZA & TIPO TAILLE & TYPE SIZE & TYPE	MSHE 112M2	QUANTITA' QUANTITE QUANTITY	1
POTENZA NOMINALE PUISSANCE NOMINALE NOMINAL POWER	4 kW	VELOCITA' VITESSE SPEED	2905 Rpm	POLI POLES POLES	2
TENSIONE TENSION RATED VOLTAGE	400 V	FREQUENZA FREQUENCE FREQUENCY	50 Hz	SERVIZIO SERVICE SERVICE	S 1
CORRENTE NOMINALE COURANT NOMINAL RATED CURRENT	7,63 A	COPPIA NOMINALE COUPLE NOMINAL RATED TORQUE	13,19 Nm	MOMENTO INERZIA ROT. INERTIE ROTOR ROTOR INERTIA	0,00590 Kgm2
SOVRATEMPERATURA ECHAUFFEMENT TEMPERAURE RISE	B	CLASSE ISOLAMENTO CLASSE ISOLATION INSULATION CLASS	F	TEMP. AMBIENTE TEMP. AMBIANCE AMBIENT TEMP.	40 °C
FATTORE DI POTENZA FACTEUR de PUISSANCE POWER FACTOR	0,88	RENDIMENTO RENDEMENT EFFICIENCY	IE2 86% %	RUMOROSITA' Lp NOISE LEVEL Lp NOISE LEVEL Lp	77 dB(A)
Ma / Mn Md / Mn Ms / Mn	2,5	Mmax / Mn Mmax / Mn Mmax / Mn	3	la / ln ld / ln ls / ln	7,5
FORMA COSTRUTTIVA FORME MOUNTING POSITION	B 3	PROTEZIONE IP PROTECTION IP ENCLOSURE IP	55	PESO POIDS WEIGHT	30,4 kG
TIPO CUSCINETTO TYPE de ROULEMENT BEARINGS TYPE	→	Lato Comando Cote Bout d'Arbre Drive End Side	6306	Lato Opposto Cote Ventilateur Non Drive End Side	6306
LUBRIFICAZ. GRASSO LUBRIFICATION GRAISSE LUBRIFICATION GREASE	--	ORE HEURES HOURS	--	RESIST. ANTICONDENSA RESIST. de RECHAUFFAGE SPACE HEATERS	-- V -- W
PROTEZIONE TERMICA PROTECTION THERMIQUE THERMAL PROTECTION	---	NORME NORMES STANDARD	IEC	VENTILAZIONE ASSISTITA VENTILATION FORCEE' FORCES VENTILATION	-- kW -- P.s -- A



OUTPUT SHAFT



Note :	1) --
	2) --
	3) --

Plan Code	B	A	AA	BB	AB	AC	H	L	HA	HD	K	O	C	D	E	GA	F
MSHE 112M2	140	190	42	180	230	226	112	391	12	258	12	M 25	70	28	60	31	8

Motor Type	Kw	Rpm
MSHE 112M2	4	2905

Preliminary Technical Sheet
Revision : 1 Agosto 2008

MSHE 112M2